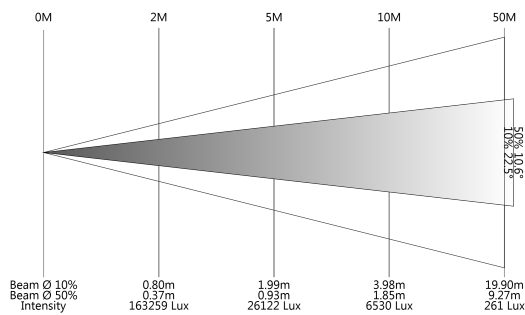


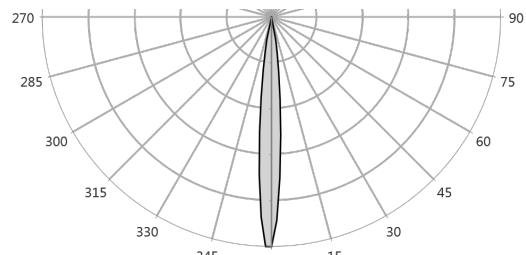
Manufacturer SGM
Luminaire P-10 All on raw peak
Measurement Date 01-02-2018
Power Consumption 1374 W
Light Output 40 165 lm
Field Angle 22.5 deg
Beam Angle 10.6 deg



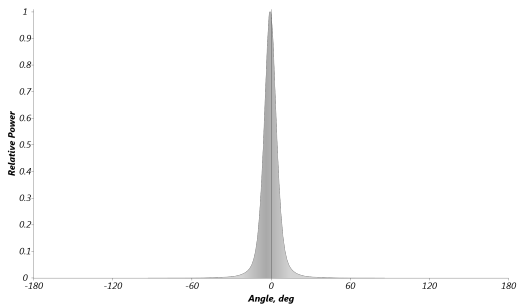
Lux Diagram



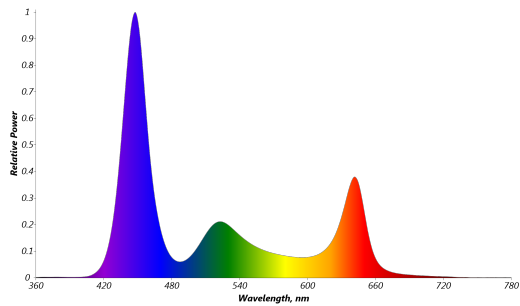
Polar Distribution



Beam Profile



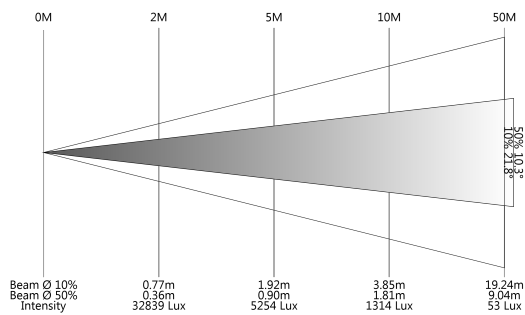
Spectral Distribution



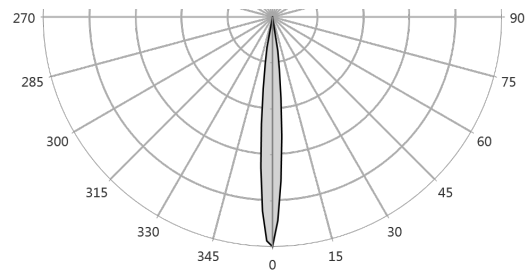
Manufacturer SGM
Luminaire P-10 Red peak
Measurement Date 01-02-2018
Power Consumption 318 W
Light Output 7 545 lm
Field Angle 21.8 deg
Beam Angle 10.3 deg



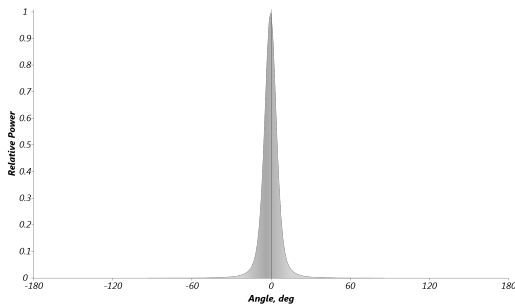
Lux Diagram



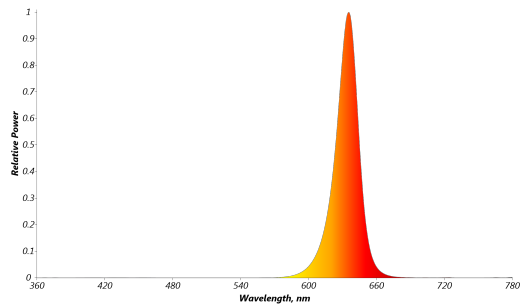
Polar Distribution



Beam Profile



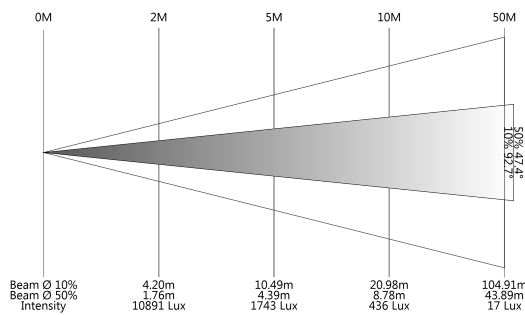
Spectral Distribution



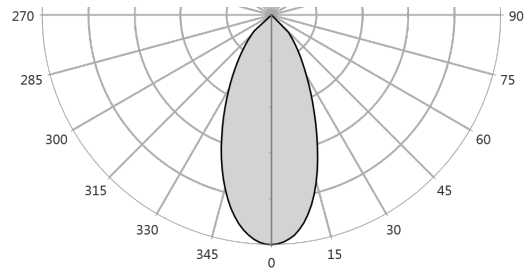
Manufacturer SGM
Luminaire P-10 Wide Dif in All on raw peak
Measurement Date 31-01-2018
Power Consumption 1374 W
Light Output 36 695 lm
Field Angle 92.7 deg
Beam Angle 47.4 deg



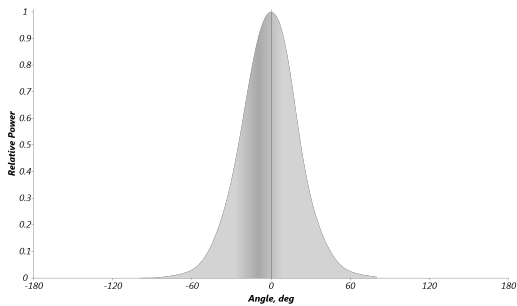
Lux Diagram



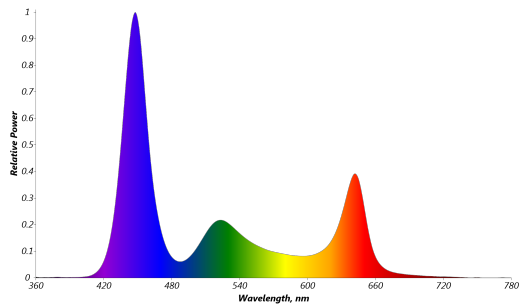
Polar Distribution



Beam Profile



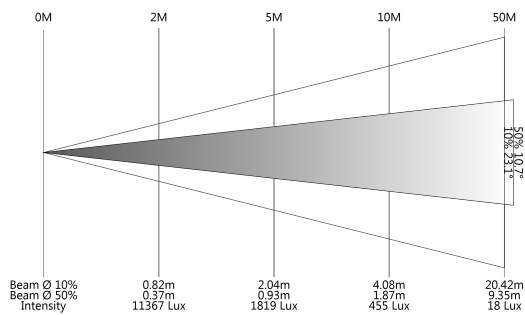
Spectral Distribution



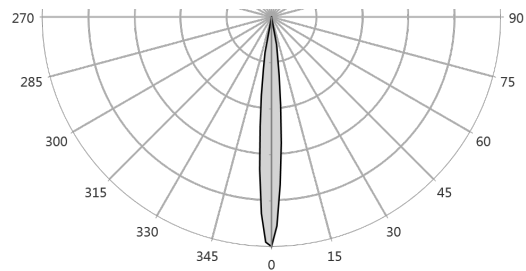
Manufacturer SGM
Luminaire P-10 Blue peak
Measurement Date 01-02-2018
Power Consumption 379 W
Light Output 2 854 lm
Field Angle 23.1 deg
Beam Angle 10.7 deg



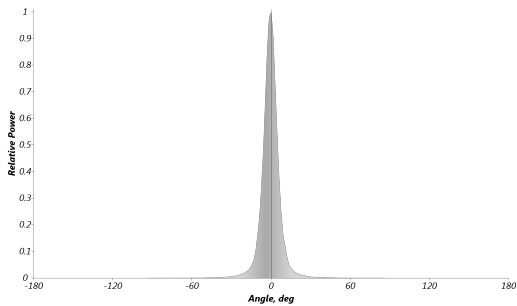
Lux Diagram



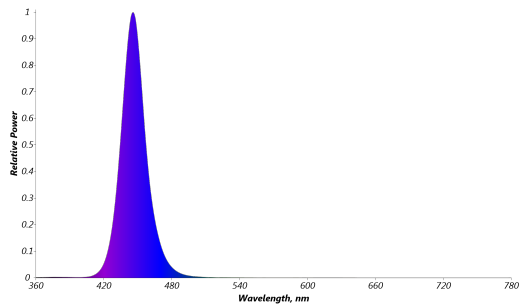
Polar Distribution



Beam Profile



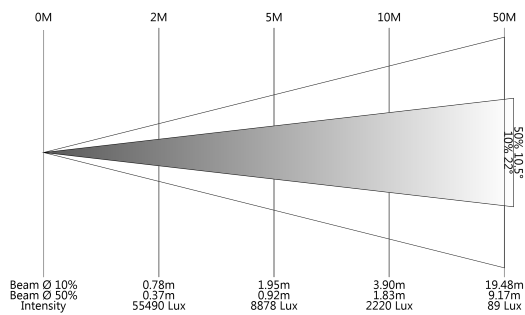
Spectral Distribution



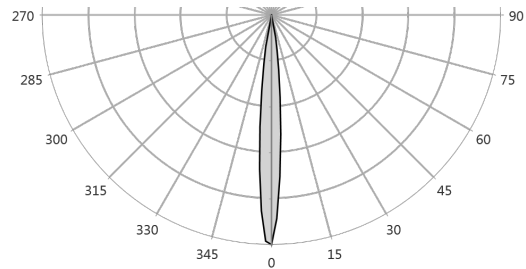
Manufacturer SGM
Luminaire P-10 Green peak
Measurement Date 01-02-2018
Power Consumption 442 W
Light Output 13 151 lm
Field Angle 22.0 deg
Beam Angle 10.5 deg



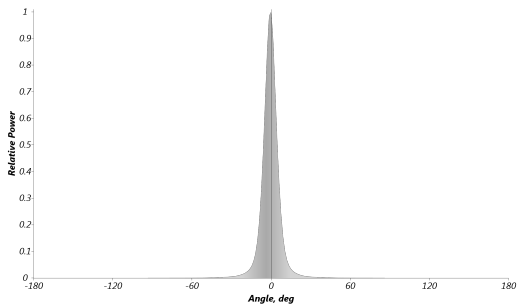
Lux Diagram



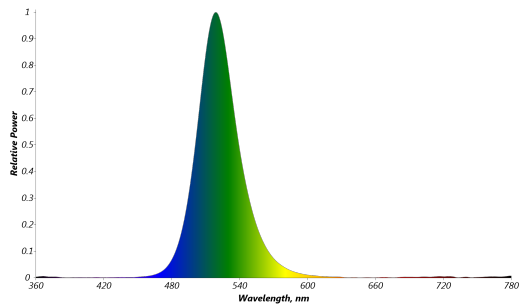
Polar Distribution



Beam Profile



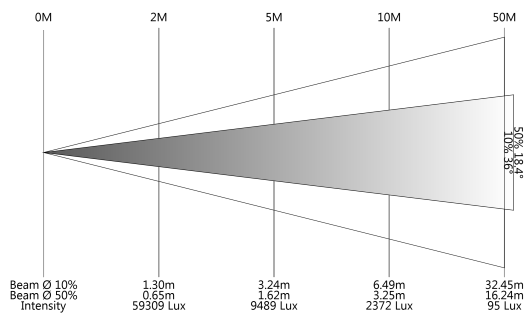
Spectral Distribution



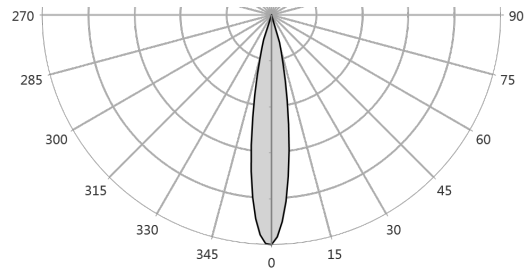
Manufacturer SGM
Luminaire P-10 Med Dif in All on raw peak
Measurement Date 31-01-2018
Power Consumption 1374 W
Light Output 35 694 lm
Field Angle 36.0 deg
Beam Angle 18.4 deg



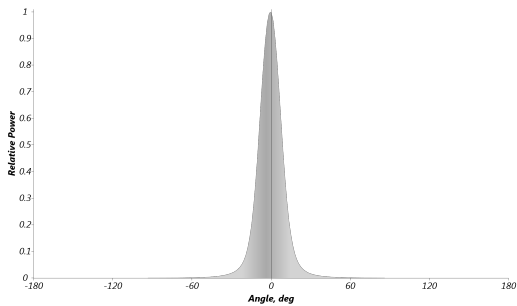
Lux Diagram



Polar Distribution



Beam Profile



Spectral Distribution

