



Datasheet

AX9 POWER | PAR



The AX9 utilizes the AX5's successful 3-in-1 concept which allows it to be used as wireless light and elegant uplight as well as a wired PAR light for longer or bigger installations. This makes it an extremely cost-efficient light and keeps your investment to a minimum. The AX9 packs extreme brightness in a compact and light housing while still giving you industry-leading colors and white tones thanks to its Titan LED Engine.



Max 20h



Wireless DMX



IP65



App

SPECIFICATIONS

	AX9
Order Code	AX9
LED Engine	Titan LED Engine
Colors	RGBMintAmber
Total LED Power	105 W
LED Power Draw	70 W
Luminous Flux 2700K	2 844 Lumens
Luminous Flux 3200K	3 214 Lumens
Luminous Flux 5500K	3 047 Lumens
Light Output 2700 K @ 1m	41 755 Lux
Light Output 3200 K @ 1m	47 078 Lux
Light Output 5500 K @ 1m	44 355 Lux
CRI (Ra)/ TLCI 3200- 6500 K*	≥96
Beam Angle	13°
Field Angle	25°
Strobe	0 - 25 Hertz
Pixels	1
Battery Runtime	up to 20 hours
Battery Lifetime	70 % after 300 cycles
Charging Time (nominal)	5 hours
AC Input	100-240 VAC, 50/60 Hertz, 2.3 A/115 VAC, 1.1 A/230 VAC, 110 W
AC Connector	PowerCON TRUE1 IN/OUT
Wired DMX	Yes (5-pin XLR)
CRMX Receiver	Built-in
BluetoothBridge BTB	Built-in
Wireless Protocols	CRMX, UHF, Bluetooth, WiFi
Wireless Range	CRMX/UHF up to 300 m / 330 yds Bluetooth up to 3 m / 3.3 yds
Infrared Control	Yes
Housing Material	Aluminium
IP Rating	IP65

Ambient Operating Temperature	0 - 40° C / 32 - 104 °F
Weight	5.66 kg / 12.5 lb
Dimensions L x W x D	175 mm x 222 mm x 256 mm / 6.9" x 8.7" x 10.1"
Mounting Options	AirlineTrack, 4x M6 thread, AX9 Bracket (with 3/8" - 16 UNC thread, 1/2" hole)

*Typical value

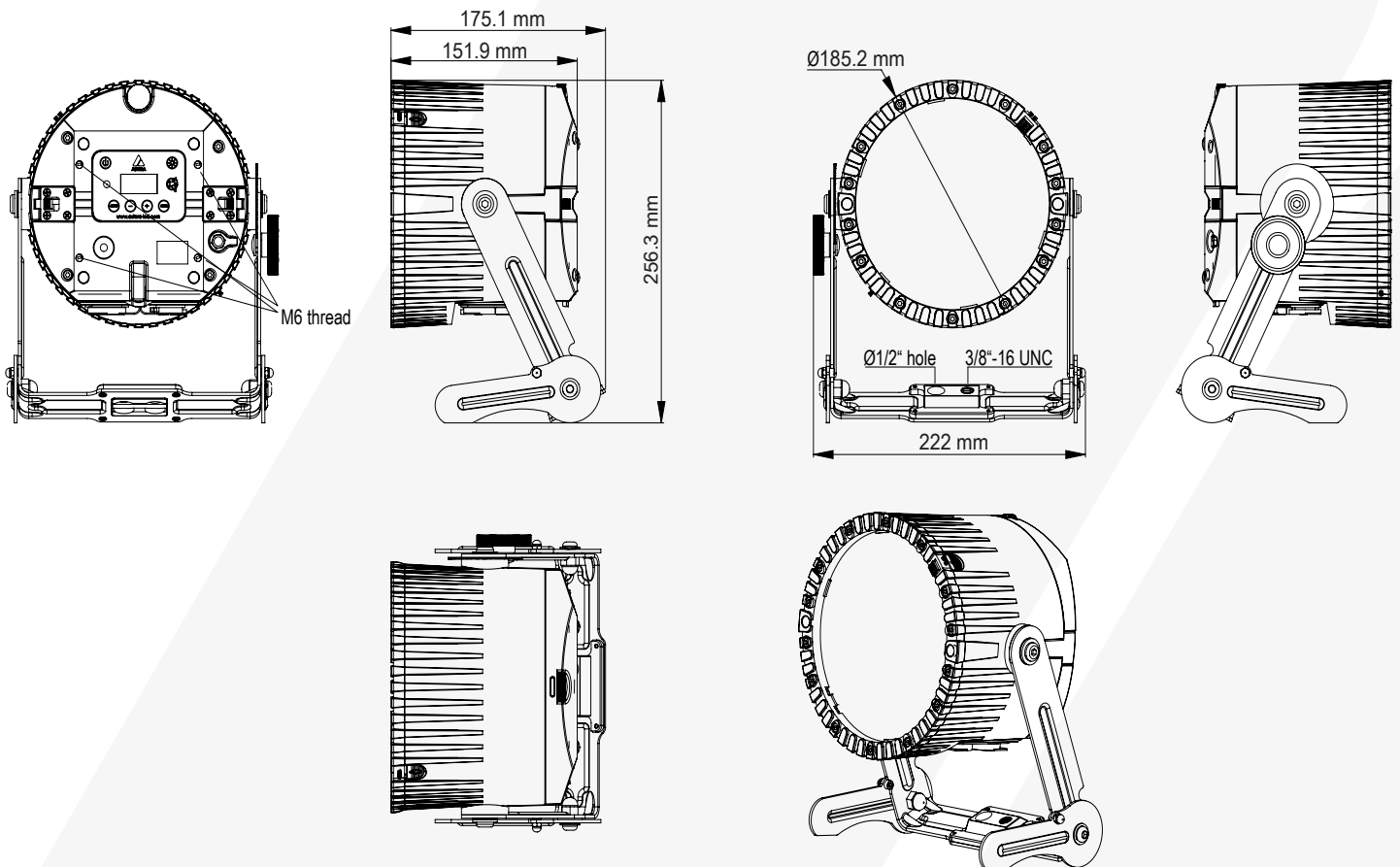
RF CHARACTERISTICS

Wireless Modules	EU: UHF*** (863-870MHz)	USA: UHF (917-922.20MHz)	AUS: UHF (922.30-927.50MHz)	SGP: UHF (920.50-924.50MHz)	KOR: UHF (917.9-921.5MHz)
Modulation	FHSS	FHSS	FHSS	FHSS	FHSS
ERP (Transmitter)	<25mW	<25mW	<25mW	<25mW	<25mW
Channel Count	47	53	53	41	10

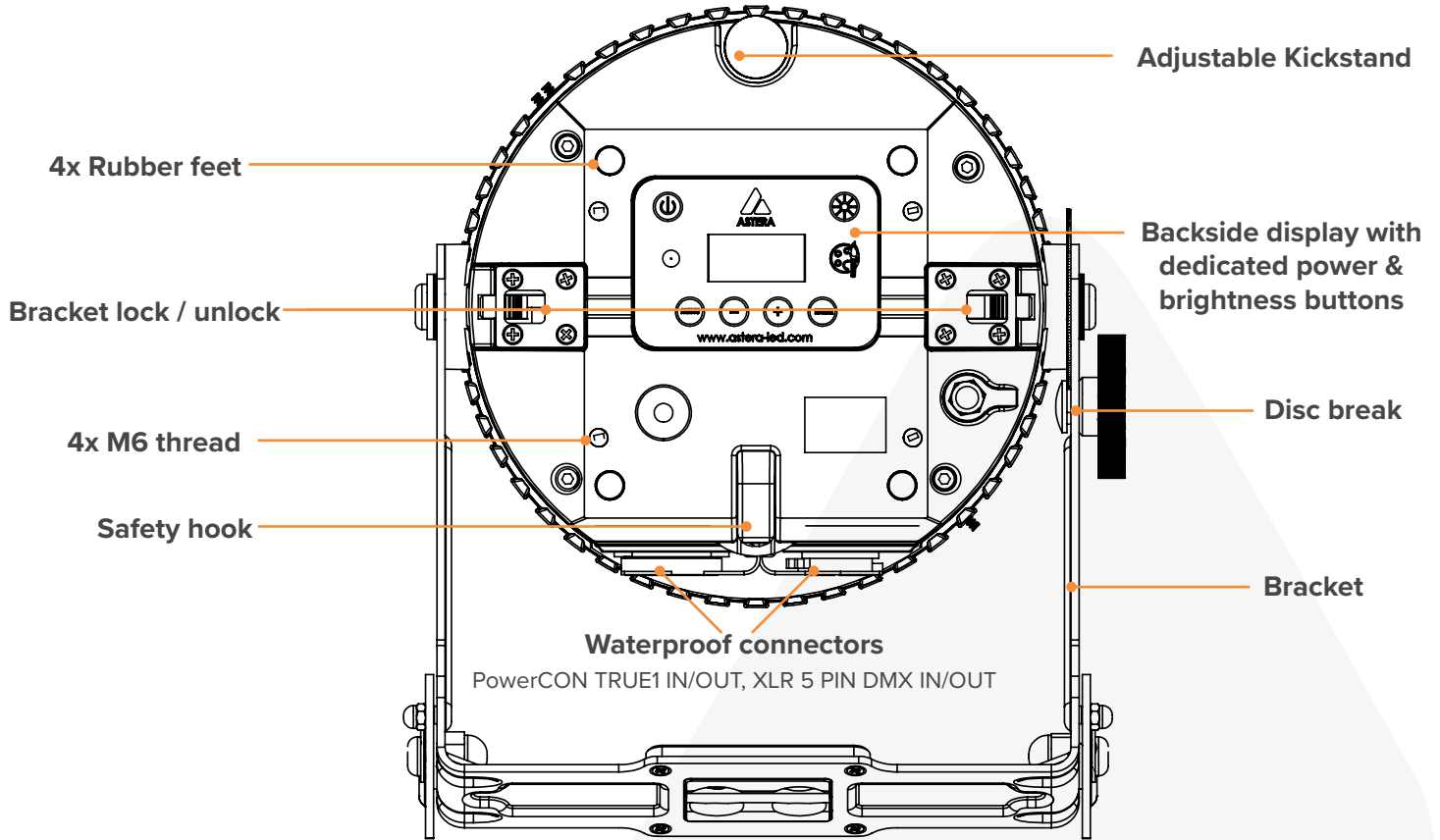
Wireless Modules	RUS: UHF (868.75-869.12MHz)	JPN: UHF (922.80-926.40MHz)	CRMX (2402-2480MHz)	Bluetooth 5.0 LE (2402-2480MHz)	WiFi (2412-2472MHz)
Modulation	FHSS	FHSS	FHSS	FHSS	DSSS, OFDM
ERP (Transmitter)	<25mW	<25mW	-	10mW (BLE)	<100mW
Channel Count	6	19	79	40	13

***General allocation of frequencies for use by short-range radio applications

DRAWINGS



BACKSIDE AND BRACKET



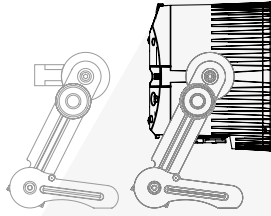
ACCESSORIES

AX9 Bracket
AX9-StA

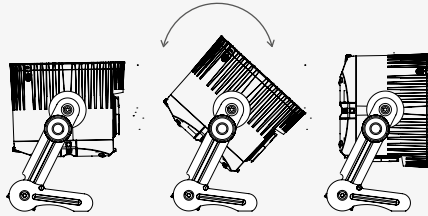


included

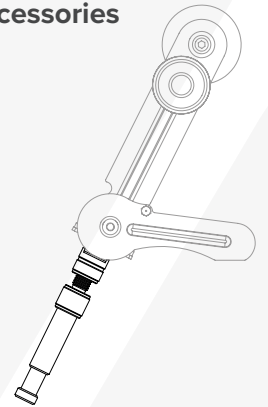
Removeable



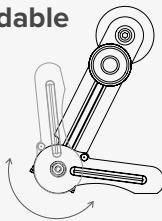
Tiltable



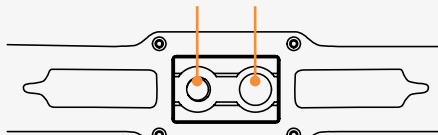
AirlineTrack on bottom
for attaching mounting accessories



Foldable



3/8"-16 UNC 1/2" hole



EggCrate
AX9-EGC



EggCrate on AX9 PowerPar
AX9-EGC



TrackPin
AX-TP



Bolt for AX5
AX5-BLT



Filters



FloodFilter 32°
AX9-FF



WallwashFilter 17°x46°
AX9-WWF



RotatableFilter 17°x46°
AX9-ROTAD

FlexCover White
AX9-FLXCVR-WT-8



FlexCover Mirror
AX9-FLXCVR-MIR-8



TYPICAL SPECTRAS

