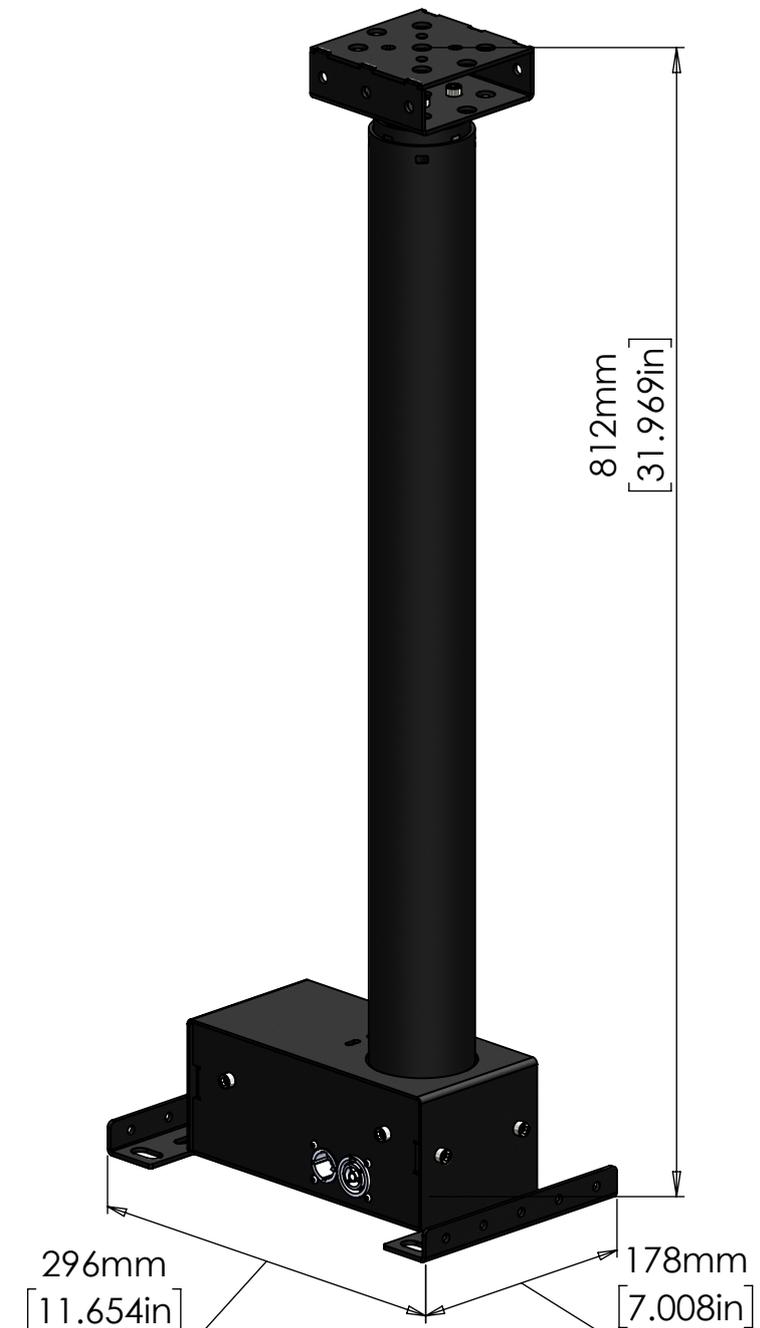


# Lifting Column

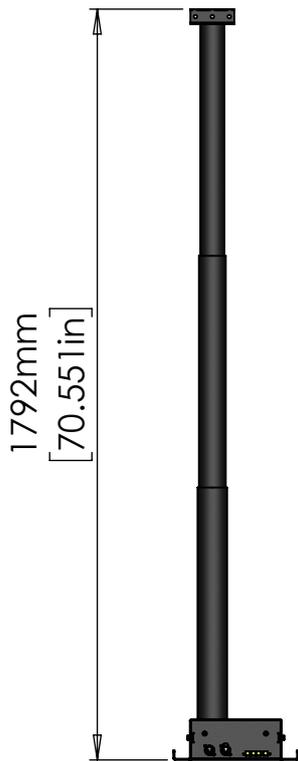
Item no .291

## TECHNICAL DATA

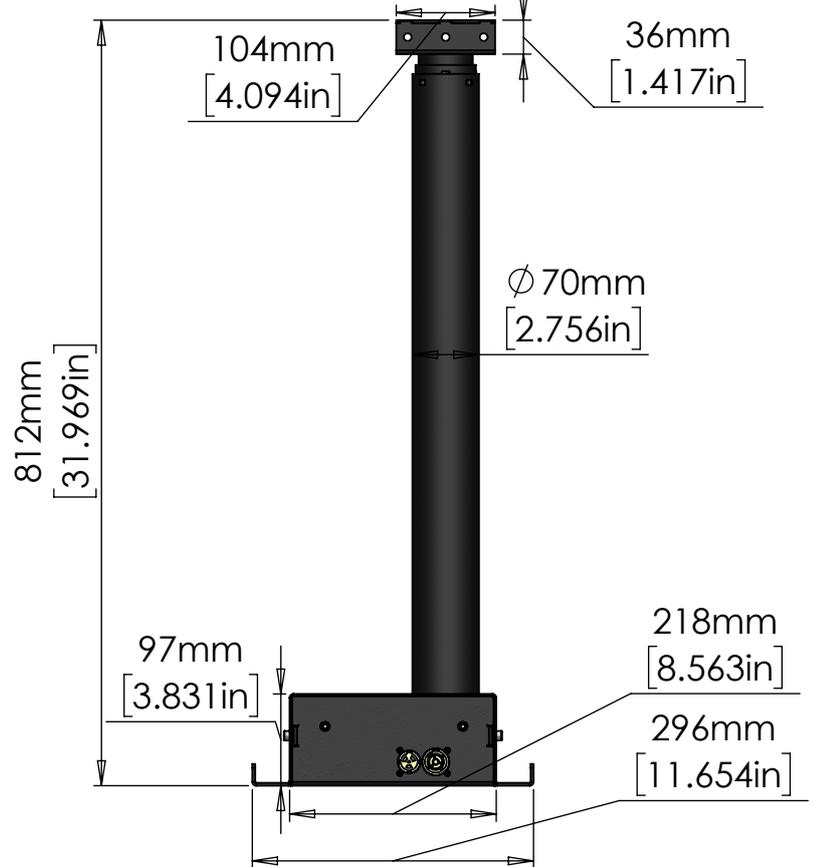
MODEL: Lifting Column  
ITEM NO.: 291  
DIMENSIONS (LxHxW): 296 × 178 × 812 mm / 11.7 × 7.01 × 32.0 in (Without mounting clamp)  
POWER SUPPLY: 100-240 V AC 50-60 Hz  
POWER CONSUMPTION: Max 150 Watt  
POWER INLET/OUTLET: Neutrik powerCON TRUE1 NAC3PX (F/M)  
DMX CONTROL SIGNAL: DMX 512 1990 + DMX512A / 3 channels used.  
DMX CONNECTION: 5 pole XLR, In & link  
LIFTING HEIGHT: 97 cm (81 – 178 cm) (38.2 in (31.9 – 70.1 in))  
LIFTING CAPACITY: Pushing - up: 60 kg. (132.3 lb)  
Pushing – sideways 10 kg. (22.0 lb)  
Pulling - up: Not recommended!  
LIFTING SPEED: Variable, 0-55 mm/s (0-2.17 in/s)  
MINIMUM LOAD: None  
NOISE EMISSION: ~55 dB max ( measured noise at 1 m/3.3 ft.)  
WEIGHT: 12 kg (26.5 lb)  
MOTOR: 24 V DC



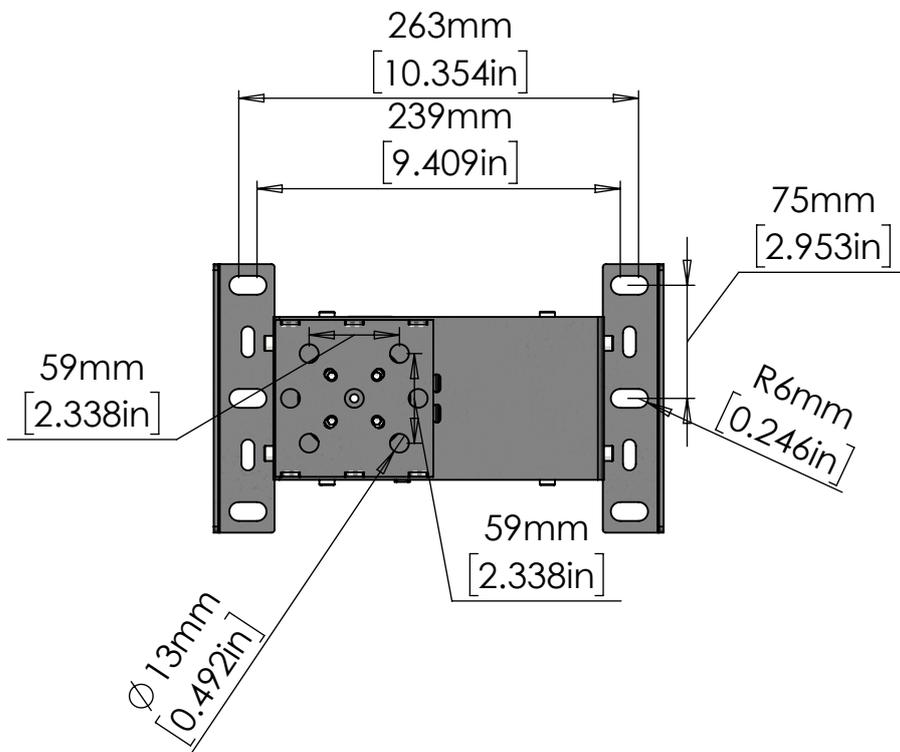
**FRONT VIEW**  
MAX EXTRUSION



**BACK VIEW**  
MIN EXTRUSION



**TOP VIEW**



**SIDE VIEW**

