

# Winch 50

Item no .245

## TECHNICAL DATA

MODEL: Winch 50

ITEM NO.: 245

DIMENSIONS (LxWxH): 345 x 298 x 445 mm / 64.7 x 11.7 x 17.5 in.

POWER SUPPLY: 200-240V AC 50-60 Hz.

POWER CONSUMPTION: 500 Watt.

POWER INLET/OUTLET: Neutrik powerCON TRUE1 NAC3PX

DMX CONTROL SIGNAL: DMX 512 1990 + DMX512A / 6 channels used.

DMX CONNECTION: 5 pole XLR, male & female

LIFTING HEIGHT: 12.5 m (41.0 ft.)

LIFTING CAPACITY: 50 kg (110 lb)

LIFTING SPEED: Variable, 0.09-0.45 m/s (3.5-17.7 in/s)

MINIMUM LOAD: 5 kg (11 lb)

NOISE EMISSION (AT 1 m): ~50 dB

AMBIENT TEMPERATURE: 0-40°C (32-104°F)

OWN WEIGHT: 29.1 kg (64.2 lb)

MOUNTING CLAMP: 4 x Slim eye coupler 50 mm (2 in)

MOTOR: 230V AC, 0.55 kW 2800 rpm

DUTY CYCLE: Maximum 30% at max load

### LIFTING WIRE SPECIFICATIONS:

LIFTING WIRE: 3 mm (1/8 in) 19x7 galvanised steel wire (EN 12385-4)

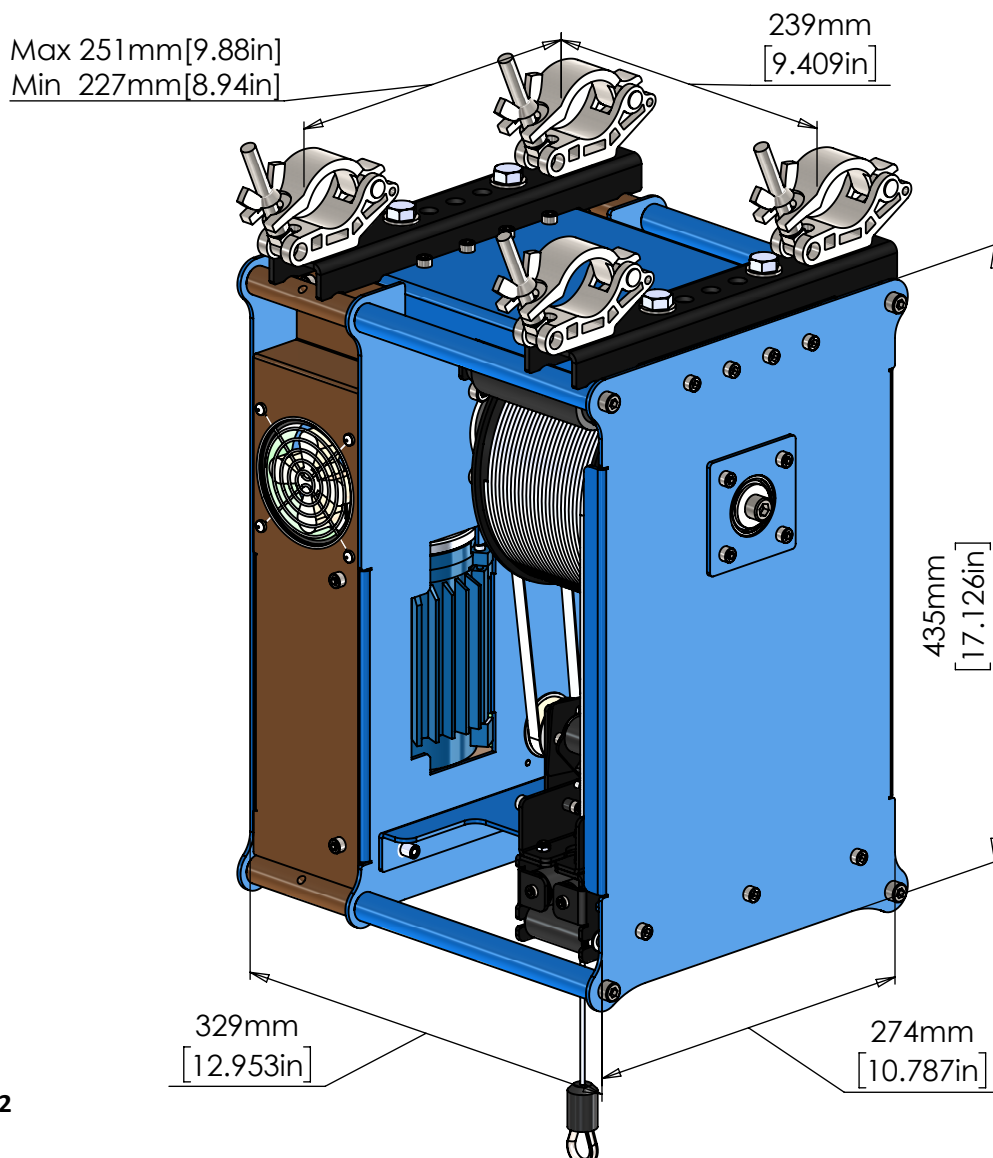
MINIMUM BREAKING LOAD (WIRE): 588 kg (5.79 kN / 1,296 lb)

WIRE SAFETY FACTOR: Minimum 10

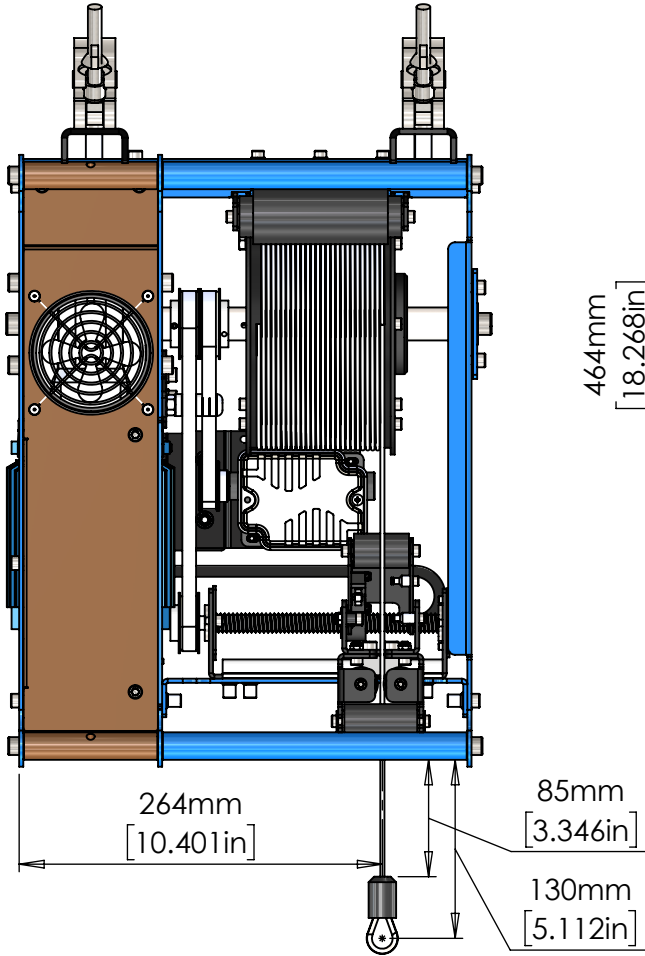
WIRE FLEET: 83 mm (21.1 in)

WIRE FLEET ANGLE: None

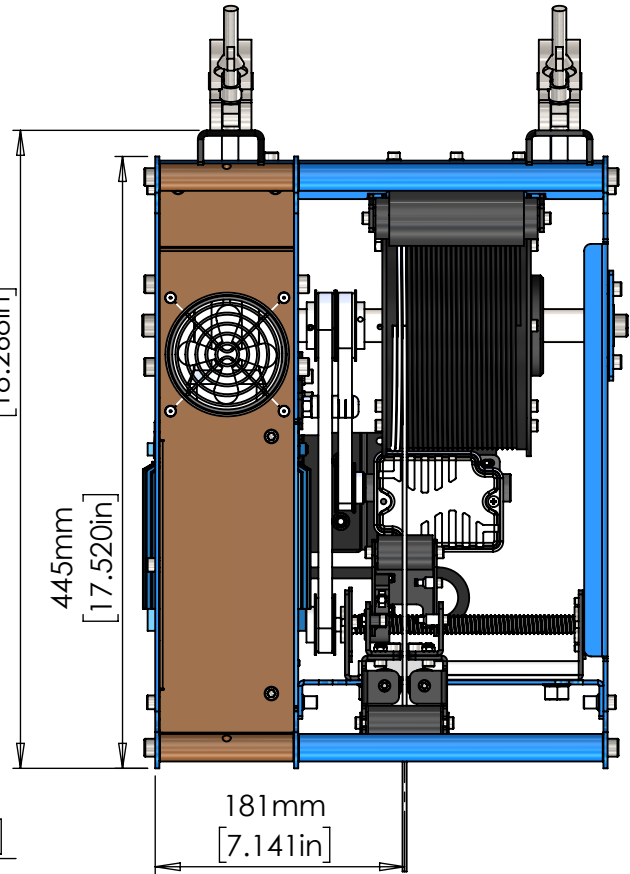
MAXIMUM EXPECTED WIRE LIFETIME:



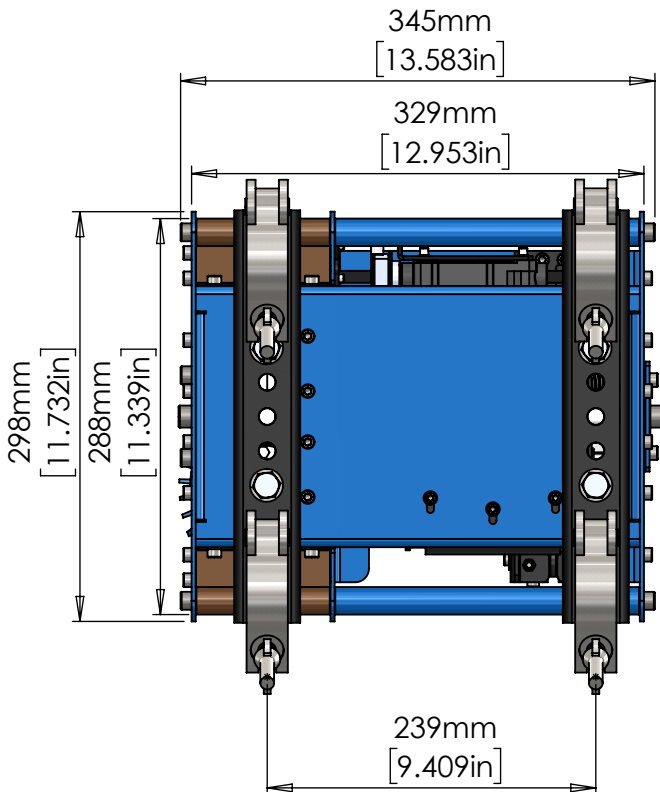
**FRONT VIEW  
TOP POSITION**



**FRONT VIEW  
BOTTOM POSITION**



**TOP VIEW**



**SIDE VIEW**

