

xVision Video Converter

SDI to HDMI

XVV-SDI2HDMI-TRUE1

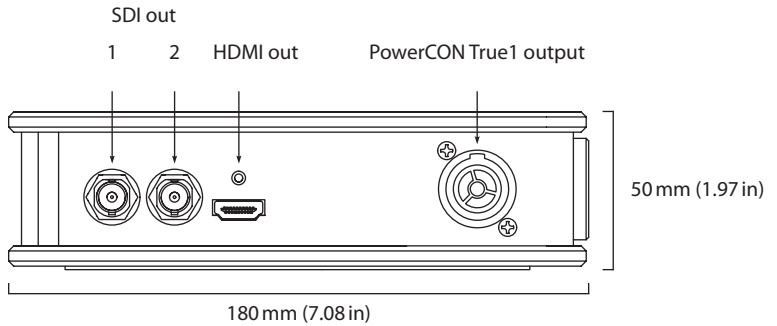
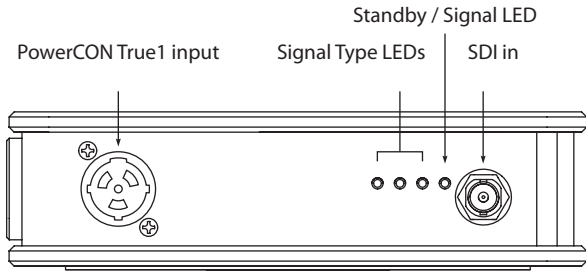
Professional equipment in mission-critical applications is all about reliability and confidence. So we started with a clean sheet, and built what may soon become your most trustworthy piece of equipment.

Introducing the world's first video converters *truly* designed for the road. Video converters nowadays are used everywhere on professional A/V events, presentations, live shows and tours and often have a critical role. Yet, they are often the weakest link in the signal chain. Low quality connectors, weak enclosure, external consumer-grade power supply, and overall barebones design that all contribute to a generally unreliable piece of equipment. We wanted to change that, so we designed the xVision Video Converters.



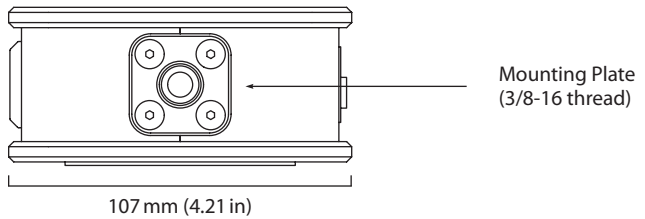
Features

- ✓ **Integrated power supply** with locking PowerCON True 1 Connector. Never rely on a cluster of wall-warts again.
- ✓ **Built-in convenience AC outlet** to power nearby projector, TV, laptop, small video projector... Power bar to power both the converter and device not required anymore.
- ✓ **Magnetic stacking system** and non-skid rubber pad for table top application. Saves at least 10 gaffer tape rolls a year.
- ✓ **Multiple mounting options:** C-Clamp, wall-mount adapter, LCD mount adapter and belt adaptor.
- ✓ **Rugged, Tour-ready and aesthetic enclosure:** The sexiest widget in your tool box, that will keep looking good for years to come.
- ✓ **Plug-n-play operation**; No dials, switches, buttons or menus to fumble with: It just works.
- ✓ Clear and ample status **LED indicators** for quick troubleshooting.
- ✓ **Easy on-the-field identification** with unique color and alphabetic coding system.
- ✓ **Locking HDMI port** prevents accidental disconnection.
- ✓ **Relocked and amplified SDI loop thru**
- ✓ Proudly designed and assembled **in Canada**.



Connections

Video Input	3G/HD/SD SDI BNC
Video Output	HDMI 1.2 type A with lock system 2 x 3G/HD/SD SDI BNC



Supported Signals

3G Format Support	1080p50, 1080p59.94, 1080p60.
HD Format Support	720p50, 720p59.94, 720p60, 1080i50, 1080i59.94, 1080i60, 1080p23.98, 1080PsF23.98, 1080p24, 1080PsF24, 1080p25, 1080PsF25, 1080p29.97, 1080PsF29.97, 1080p30, 1080PsF30
SD Format Support	525/23.98 NTSC, 525/29.97 NTSC.625/25 PAL.
SDI Video Sampling	4:2:2 and 4:4:4
SDI Audio Sampling	Sample rate of 48 kHz and 24 bit.
SDI Color Space	YUV and RGB
SDI Auto Switching	Automatically detects incoming signal format.

Power Requirements

Power Supply	Built-in power supply PowerCON True1 input PowerCON True1 output
Power Consumption	25 W
Operational Voltage Range	90-250V with True1 Connectors

Physical Specifications

Height	50 mm (1.97 in)
Depth	180 mm (7.08 in)
Width	107 mm (4.21 in)
Weight	1 kg (2.2 lbs)

Environmental Specifications

Relative Humidity	0% to 90% non-condensing
--------------------------	--------------------------

In the box

- xVision converter
SDI to HDMI (True1)
- HDMI male with locking
system to DVI male (1m)

Ordering information

XVV-HDMI2SDI-TRUE1	xVision HDMI to SDI converter (True1)
XVV-SDI2HDMI-TRUE1	xVision SDI to HDMI converter (True1)
XVV-SDIDA-TRUE1	xVision SDI Distribution Amplifier (4 outputs, True1)
XVV-RK	xVision Video Converter Rigging Kit

XVV-MW	xVision Video Converter Wall Mount Adapter
XVV-MT	xVision Video Converter LCD Mount Adapter
XVV-CC1	xVision Video Converter Carrying Case for 1 unit
XVV-CC2	xVision Video Converter Carrying Case for 2 units