

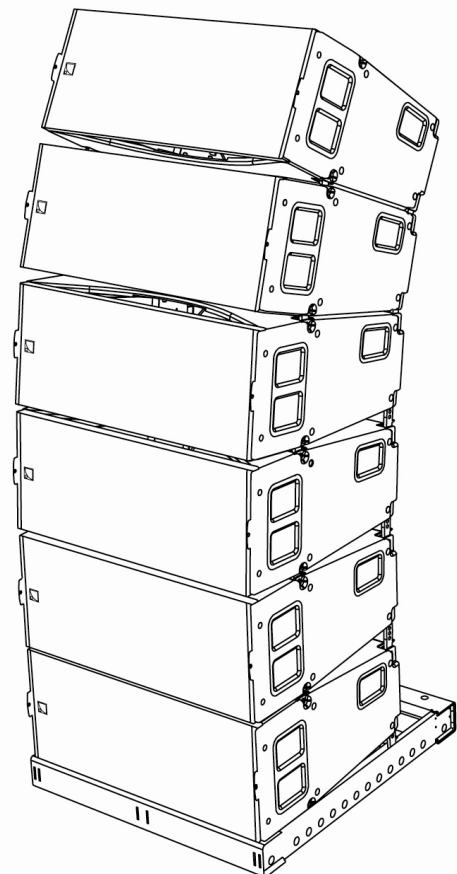
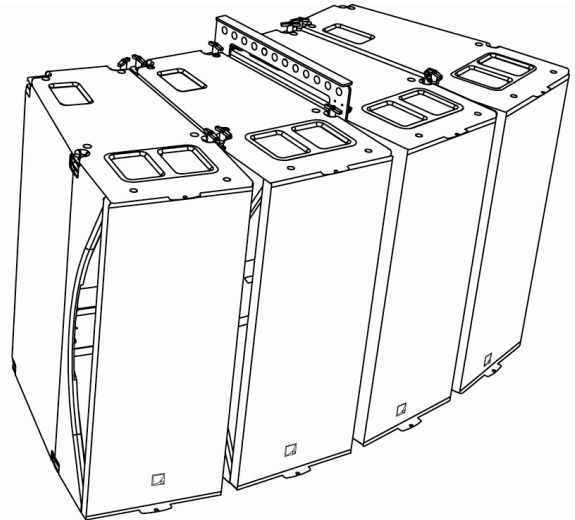
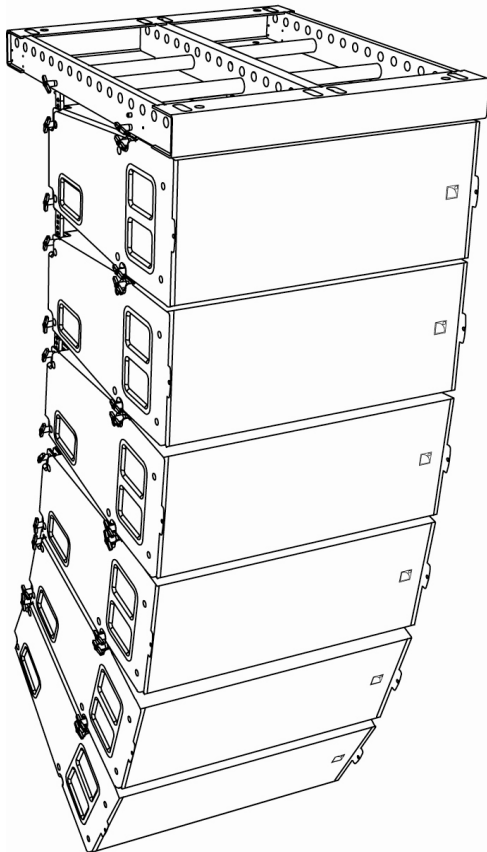
KUDO[®] MULTI-MODE WST[®] SYSTEM KUDO[®] SYSTÈME MULTI-MODE WST[®]



VERSION 1.0

RIGGING PROCEDURES **EN**

PROCÉDURES D'ACCROCHAGE **FR**



1 SAFETY WARNINGS

All information hereafter detailed applies for the rigging structure **L-ACOUSTICS® KBUMP** or for one of the rigging accessories **L-ACOUSTICS® KLIFT** or **KJACK**, hereafter designated as “**the product**”.

1.1 Symbol description

Throughout this manual the potential risks are indicated by the following symbols:



The **WARNING** symbol indicates a potential risk of physical harm to the user or people within close proximity to the product. In addition, the product may also be damaged.



The **CAUTION** symbol notifies the user about information to prevent possible product damage.



The **IMPORTANT** symbol is a notification of an important recommendation of use.

1.2 Important safety instructions

1. **Read this manual**
2. **Heed all safety warnings**
3. **Follow all instructions**
4. **The user should never incorporate equipment or accessories not approved by L-ACOUSTICS®**



5. **Personnel qualification**

Installation and set-up should only be carried out by qualified personnel that are familiar with the rigging techniques and safety recommendations outlined in this manual. It is recommended to attend the training courses offered by L-ACOUSTICS® before proceeding with the installation of the system.



6. **Personnel health and safety**

During installation and set-up personnel should wear protective headgear and footwear at all times. Under no circumstances personnel should climb on the loudspeaker assembly.



7. System parts and rigging inspection

All system components must be inspected before use, in order to detect any possible defects. Please refer to the “Care and maintenance” section of this manual as well as any other manuals pertaining to the system for a detailed description of the inspection procedure. Any part showing any sign of defect must immediately be put aside and withdrawn from use to be inspected by qualified service personnel.



8. Additional rigging equipment

L-ACOUSTICS® is not responsible for any rigging equipment and accessories that are not manufactured by L-ACOUSTICS®.

It is the user’s responsibility to ensure that the Working Load Limit (WLL) of all additional hardware rigging accessories is greater than the total weight of the loudspeaker assembly in use.



9. Suspension points

It is the user’s responsibility to ensure that the Working Load Limit (WLL) of the suspension points and/or chain hoists is greater than the total weight of the loudspeaker assembly in use.



10. System load capacity and setup safety limits

Load capacity and setup safety limits when flying or stacking a loudspeaker assembly should be strictly followed according to the instructions outlined in this manual.

Always refer to the mechanical data and warning indications provided in SOUNDVISION to verify that safe system setup safety limits apply.



11. Local regulations

Some countries require higher Ultimate Strength Safety Factors and specific rigging approvals. It is the user responsibility to ensure that any overhead suspension of L-ACOUSTICS® systems has been made in accordance with all applicable local regulations.

As a general rule, L-ACOUSTICS® recommends the use of safety steel at all times.



12. Flying a loudspeaker assembly

Always ensure that nobody is standing underneath the loudspeaker assembly when it is being raised. As the system is being raised check each individual component to make sure that it is securely fastened to the component above. Never leave the system unattended during the installation process.



13. Ground stacking a loudspeaker assembly

Do not ground stack the system on uneven ground or platform.

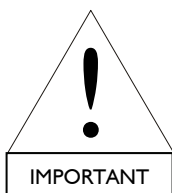
If the system is ground stacked on a structure, platform, or stage always check that it can support the total weight of the system.

Secure the system to the structure, platform, or stage using ratchet straps or any other applicable devices.



14. Dynamic load

When a loudspeaker assembly is deployed in an open air environment wind effect should be taken into account. Wind can produce dynamic stress to the rigging components and suspension points. If the wind force exceeds 6 bft. (Beaufort scale) it is highly recommended to lower down and/or secure the loudspeaker assembly.



15. Manual

Keep this manual in a safe place during the product lifetime. This manual forms an integral part of the product. Reselling of the product is only possible if the user manual is available. Any changes made to the product have to be documented in writing and passed on to the buyer in the event of resale.

EN

1.3 EC declaration of conformity

L-ACOUSTICS®

13 rue Levacher Cintrat
Parc de la Fontaine de Jouvence
91462 Marcoussis Cedex
France

States that the following products:

Rigging structure, KBUMP
Rigging accessory, KLIFT
Rigging accessories, KJACK

Are in conformity with the provisions of:

Machinery Directive 98/37/EC

Applied rules and standards:

EN ISO 12100-1: 2004

Established at Marcoussis, France, the 12/20/2004



Jacques Spillmann

2 CONTENTS

1	SAFETY WARNINGS	1
1.1	Symbol description	1
1.2	Important safety instructions	1
1.3	EC declaration of conformity.....	3
2	CONTENTS	4
3	INTRODUCTION	5
3.1	Welcome to L-ACOUSTICS [®]	5
3.2	Unpacking	5
4	KUDO[®] SYSTEM	6
5	KUDO[®] RIGGING COMPONENTS	7
5.1	KBUMP rigging structure and KJACK rigging accessories.....	7
5.2	KLIFT rigging accessory	9
6	INSTALLATION	10
6.1	Flying a vertical line source array (using KBUMP)	10
6.1.1	Assembling the KUDO [®] enclosures and the KBUMP structure.....	10
6.1.2	Flying the KUDO [®] array in the vertical position.....	13
6.1.3	Taking down the array	15
6.2	Ground stacking a vertical line source array (using KBUMP and KJACKx2).....	17
6.2.1	Stacking the KUDO [®] array in the vertical position	17
6.2.2	Disassembling the ground stacked array.....	23
6.3	Flying a horizontal line source array (using KLIFT)	25
6.3.1	Rigging and flying.....	25
6.3.2	Disassembling.....	26
7	CARE AND MAINTENANCE	27
8	SPECIFICATIONS	28
9	APPENDIX	29
9.1	KBUMP rigging points.....	29
9.2	KLIFT site angle setting.....	30

3 INTRODUCTION

3.1 Welcome to L-ACOUSTICS®

Thank you for purchasing the **L-ACOUSTICS® KUDO® Multi-Mode WST® Enclosure**.

This manual contains essential information on the **L-ACOUSTICS® KUDO®** rigging procedures. Read this manual carefully in order to make familiar with these procedures.

As part of a continuous evolution of techniques and standards, L-ACOUSTICS® reserves the right to change the specifications of the product and the content of this manual without prior notice. Please check the L-ACOUSTICS® internet website @ www.l-acoustics.com on a regular basis for latest update.

If the product requires repair or if information about the warranty is needed, please contact an approved L-ACOUSTICS® distributor. In order to obtain the address of the nearest distributor go to the internet website @ www.l-acoustics.com.

3.2 Unpacking

Carefully open the shipping carton and check the product for any noticeable damage. Each L-ACOUSTICS® product is tested and inspected before leaving the factory and should arrive in perfect condition.

If found to be damaged, notify the shipping company or the distributor immediately. Only the consignee may initiate a claim with the carrier for damage incurred during shipping. Be sure to save the carton and packing materials for the carrier's inspection.

The KBUMP package comprises the following elements:

- One **L-ACOUSTICS® KBUMP** rigging structure with 4 ball locking pins hereafter designated as “**BLP**”.
- Two shackles fitted with 22 mm/0.87 in. screw pin, hereafter designated as “**22-shackles**”.

The KLIFT package comprises the following elements:

- One **L-ACOUSTICS® KLIFT** rigging bar.
- One shackle fitted with 18 mm/0.71 in. screw pin, hereafter designated as “**18-shackle**”.

The KJACK package comprises the following elements:

- Two wheel-handled threaded rods.
- Two U-brackets attached to support base.

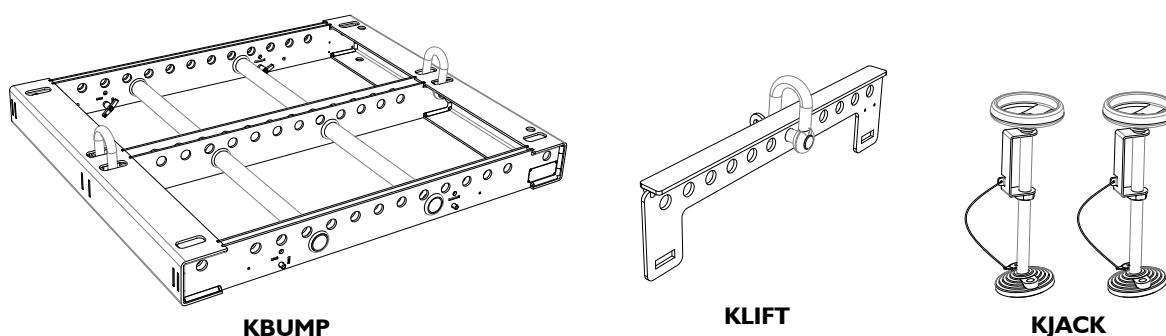


Figure 1: KUDO® rigging components

4 KUDO® SYSTEM

The **L-ACOUSTICS® KBUMP** structure and the **KLIFT** and **KJACK** accessories are dedicated to fly and stack the **KUDO®** system.

The system approach developed by L-ACOUSTICS® for KUDO® comprises the elements needed to fully take advantage of the possible configurations and optimize the system. The main components of the system are:

- | | |
|--------------------|---|
| KUDO® | ⇒ Full range active 3-way loudspeaker enclosure |
| KBUMP | ⇒ Rigging structure to fly or stack a KUDO® array in the vertical orientation |
| KJACK | ⇒ Rigging accessories (x2) used in conjunction with KBUMP to stack KUDO® |
| KLIFT | ⇒ Rigging accessory to fly a KUDO® array in the horizontal orientation |
| KPLA-2, KCOV | ⇒ Removable front dolly board and protective cover to ship the KUDO® |
| SB118, SB28 | ⇒ Subwoofer enclosures for extended low frequency response |
| LA8 | ⇒ Dedicated amplified controller |
| SOUNDVISION | ⇒ Acoustical and mechanical modeling software |
| LA NETWORK MANAGER | ⇒ Remote control software |



Figure 2: KUDO® system components

Each system configuration should first be modeled using the **L-ACOUSTICS® SOUNDVISION** software to verify that safe system setup safety limits apply. A detailed description on the use of the SOUNDVISION software is beyond the scope of this manual. Please refer to the appropriate documentation, also available on the L-ACOUSTICS® internet website @ www.l-acoustics.com.

5 KUDO® RIGGING COMPONENTS

5.1 KBUMP rigging structure and KJACK rigging accessories

The L-ACOUSTICS® KBUMP rigging structure has been exclusively designed to fly or stack the L-ACOUSTICS® KUDO® enclosures as a variable-curvature, vertical line source array.

EN

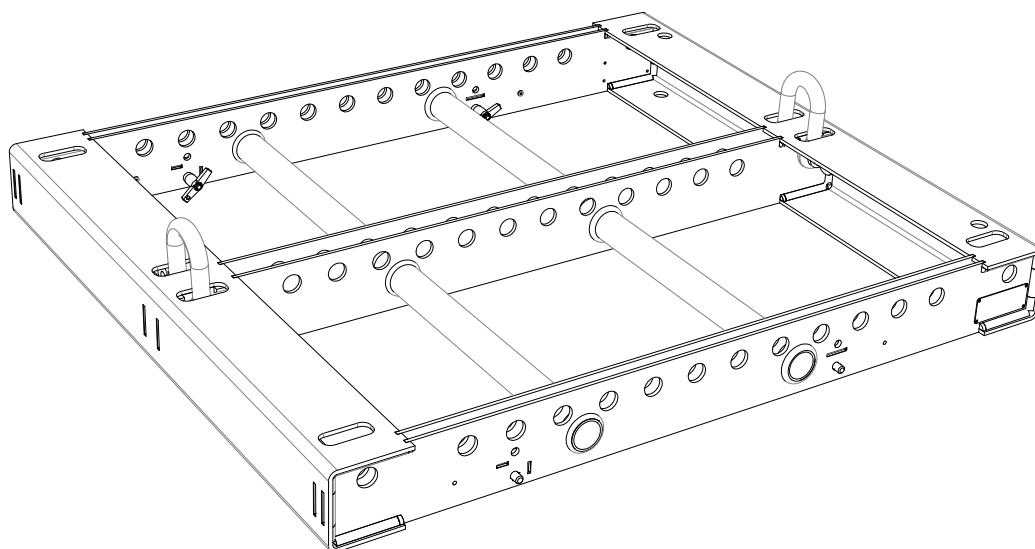


Figure 3: KBUMP with two shackles

The KBUMP is supplied with two 22-shackles (Figure 3) that can support up to 2000 kg / 4409 lb. each with an Ultimate Strength Safety Factor of 5:1. Thirteen pick up points are available on the central spreader bar section and side bars allowing for a wide variety of hoist set up. Please refer to appendix 9.1 for a detailed description of the KBUMP rigging options examples.



KBUMP can fly a maximum amount of weight of 1830 kg / 4034 lb.

Therefore, a maximum of 21 KUDO® enclosures can be flown underneath the KBUMP rigging structure without any additional load.

Always refer to the mechanical data and warning indications provided in SOUNDVISION to verify that safe system setup safety limits apply (see section “Mechanical Data” in the SOUNDVISION software).

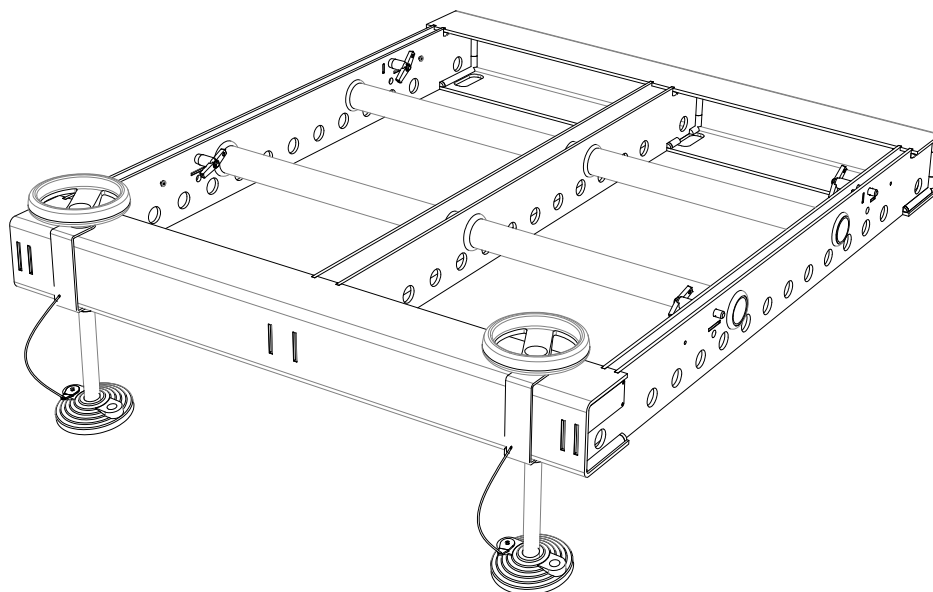


Figure 4: KBUMP and KJACK elements for stacking a KUDO[®] array

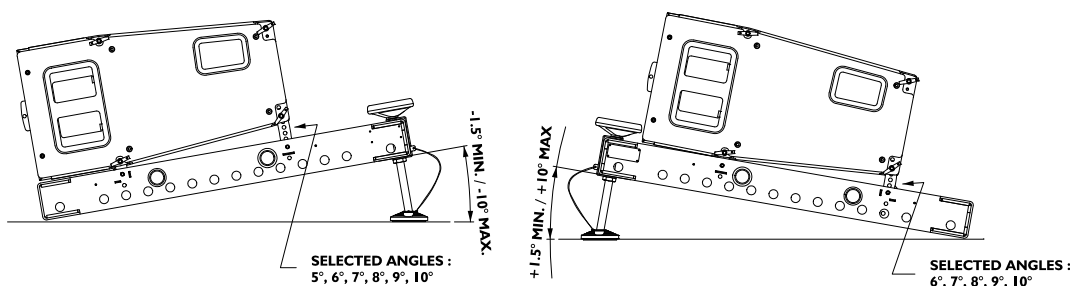
KBUMP can also be used as a horizontal or tilted ground stacking platform using two complimentary KJACK accessories (Figure 4).



A maximum of 6 KUDO[®] can be stacked onto a horizontally configured KBUMP (site angle set at 0°).

When KBUMP is used with the complimentary KJACK accessories so as to form a tilted platform, the following limitations apply:

K-BUMP site angle	[-10°, -9°[[-9°, -7°[[-7°, -6°[[-6°, -1.5°]	[1.5°, 2°[[2°, 9°[[9°, 10°]
Maximum number of KUDO [®]	3	4	5	6	6	5	4



And as a general guideline, always refer to the mechanical data and warning indications provided in SOUNDVISION to verify that safe system setup safety limits apply (see section “Mechanical Data” in the SOUNDVISION software).

Ensure that KBUMP is physically secured to the stacking platform or subwoofer stack using ratchet straps or any applicable materials.

5.2 KLIFT rigging accessory

The **L-ACOUSTICS® KLIFT** rigging accessory has been exclusively designed to fly the **L-ACOUSTICS® KUDO®** enclosures as a 10°-constant curvature, horizontal line source array.

The KLIFT is supplied with one 18-shackle (Figure 5) that can support up to 1250 kg / 2756 lb. with an Ultimate Strength Safety Factor of 5:1. Twelve pick up points are available on the KLIFT to set the site angle. Please refer to appendix 9.2 for a detailed description of the KLIFT available configurations.

EN

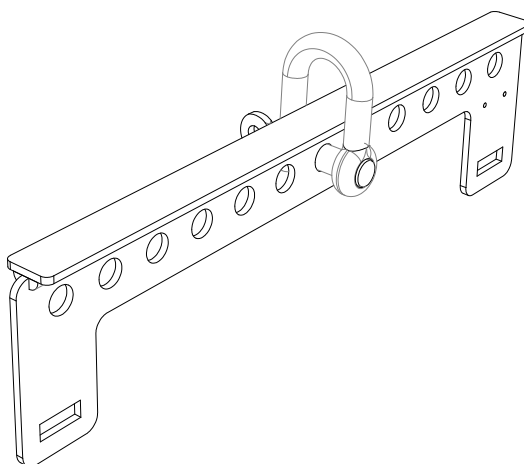


Figure 5: KLIFT rigging accessory with shackle

One or more KLIFT accessories can fly horizontal arrays composed of a minimum of 2 KUDO® enclosures. Figure 6 shows six examples of single or dual suspension point arrays: it can be seen that only symmetrical configurations are available in order to properly balance the array's center of gravity.



A single KLIFT can support a maximum amount of weight of 522 kg / 1150 lb. and can therefore support up to 6 KUDO® enclosures without any additional load.

Any configuration containing one or more KLIFT accessories should be prior modeled using SOUNDVISION software.

Always refer to the mechanical data and warning indications provided in SOUNDVISION to verify that safe system setup safety limits apply (see section "Mechanical Data" in the SOUNDVISION software).

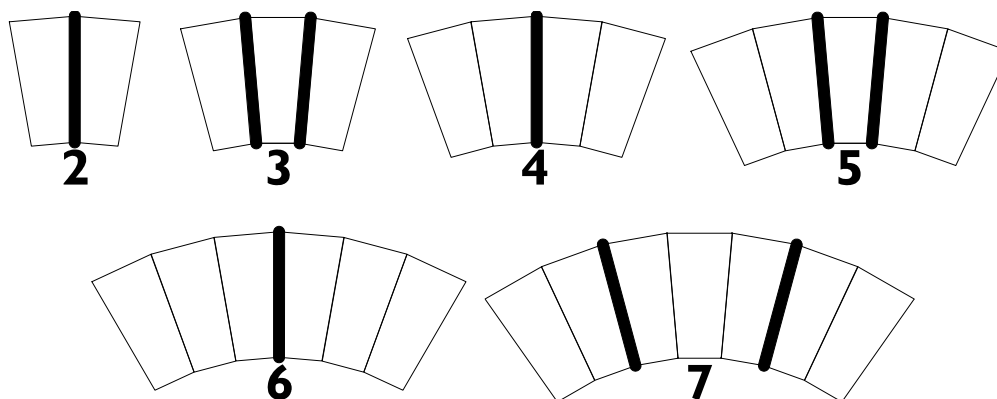


Figure 6: Two to seven-KUDO® horizontal arrays with KLIFT accessories

6 INSTALLATION

6.1 Flying a vertical line source array (using KBUMP)

Before installation, in order to position and correctly place the array the user should use **L-ACOUSTICS[®] SOUNDVISION** software to determine:

- Correct hole position of the shackles on the KBUMP
- Number of KUDO[®] enclosures
- Inter-angles between KUDO[®] enclosures
- Check of the system's mechanical conformity



Always refer to the mechanical data and warning indications provided in SOUNDVISION to verify that safe system setup safety limits apply (see section “Mechanical Data” in the SOUNDVISION software).

The rigging method to fly the KUDO[®] system comprises the elements KBUMP and KUDO[®]. Attaching one element to the next is done by using fully integrated components unique to each KUDO[®]. There is no need for any other external fastening accessory. Each KUDO[®] enclosure incorporates two rotating arms that lock into the device above, and four rigging points that lock into the device below, using ball locking pins (BLP).

The following procedures describe how to fly a vertical KUDO[®] line source array, and how to disassemble it.

6.1.1 Assembling the KUDO[®] enclosures and the KBUMP structure



All along the following procedure systematically ensure that each BLP is correctly secured by pulling on it, and that screw pin is correctly secured on each shackle anchor.

1. Line up the KBUMP structure and all KUDO[®] enclosures at the rigging location.

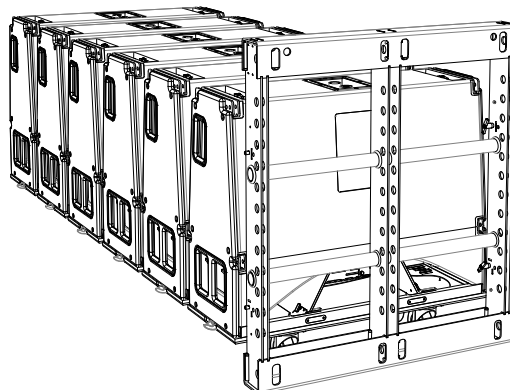


Figure 7: Lining up the KUDO[®] enclosures and the KBUMP structure

2. On each KUDO® enclosure, adjust the K-LOUVER® panels (see the “KUDO®” user manual).
3. On each KUDO® enclosure, remove the 8 BLP.
4. On both sides of each KUDO® enclosure, push forward the rotating arm tab (accessible in the handle pocket) and secure the front rigging point using the corresponding BLP.

EN

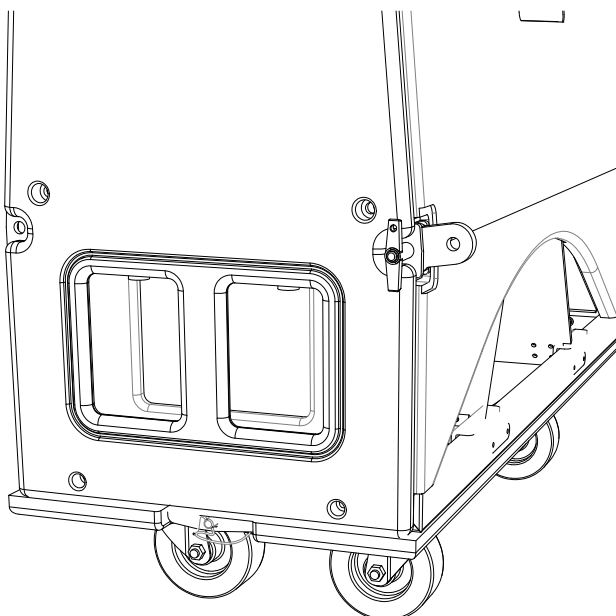


Figure 8: Securing the front rigging points

5. Align all KUDO® enclosure front rigging points (do not attach).
6. On both sides of each KUDO® enclosure, push out the rotating arm and attach the rear inter-enclosure BLP (do not pre-select angle).

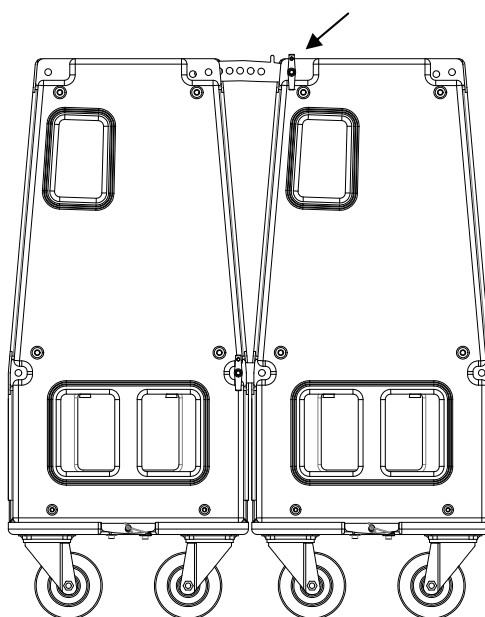


Figure 9: Attaching the rear inter-enclosure BLP (angle selection and front rigging points are not secured)

7. On both sides of the first KUDO[®] enclosure, select the 5° angle (the top enclosure will be parallel to the KBUMP).

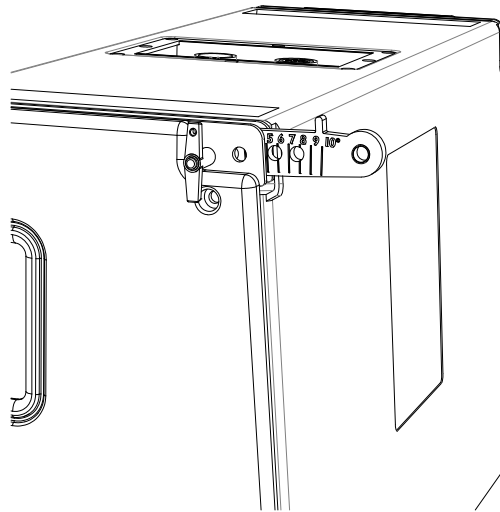


Figure 10: First enclosure 5° angle setting

8. On the KBUMP structure, ensure that the 4 BLP are located in their inner storage holes.
9. a. Place the KBUMP in position by aligning both stop tabs with the top KUDO[®] enclosure's front rigging points.



The KBUMP should be installed with the serial number tag oriented towards the rear of the array.
Support the KBUMP in order to prevent it from falling.

- b. Attach the 4 BLP in the outer storage holes so as to secure the KBUMP to the top KUDO[®] enclosure.
10. Attach the 22-shackles according to the specifications detailed in appendix 9.1.

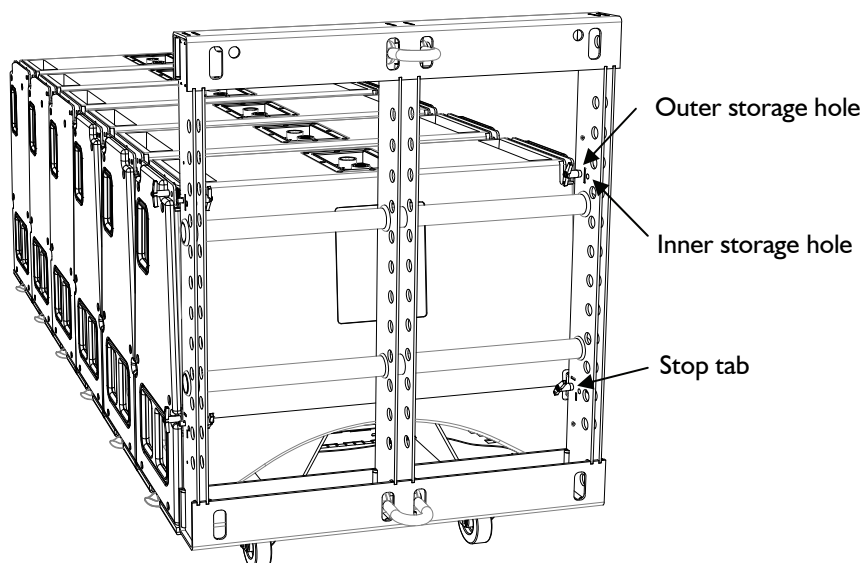


Figure 11: Securing the KBUMP to the first KUDO[®] enclosure, positioning the shackles

11. For each KUDO[®] enclosure, remove both dolly board BLP by pulling on both lanyards.

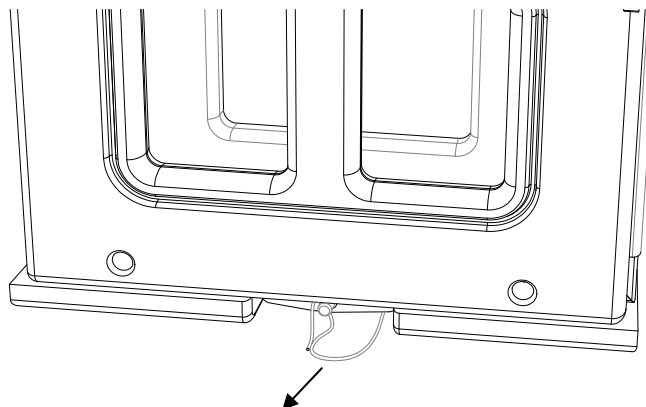


Figure 12: Pulling on the dolly board BLP lanyards

12. On each KUDO[®] enclosure, connect the loudspeaker cables (refer to the “KUDO[®]” user manual).



Secure the loudspeaker cables to the KBUMP.

For clarity purposes the loudspeaker cables will not be represented on the following figures.

6.1.2 Flying the KUDO[®] array in the vertical position



All along the following procedure, systematically ensure that each BLP is correctly secured by pulling on it.

Ensure that no one is standing under or in close proximity to the system when it is being raised in the air.

1. Attach the motor hooks to the KBUMP shackles. Lift the KBUMP/first KUDO[®] assembly in the horizontal position.

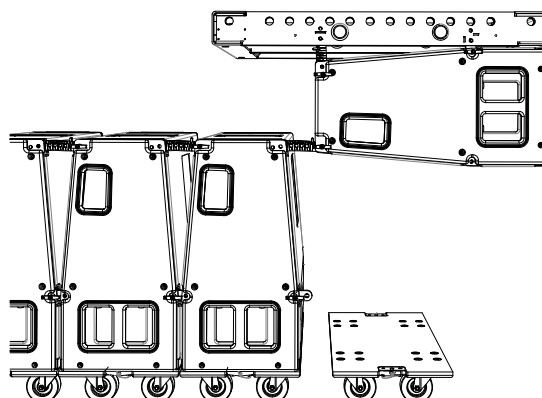


Figure 13: Raising the KBUMP/first KUDO[®] assembly

2. Select the desired angle between KUDO[®] #1 and #2 (the rotating arms slide freely between the enclosures).

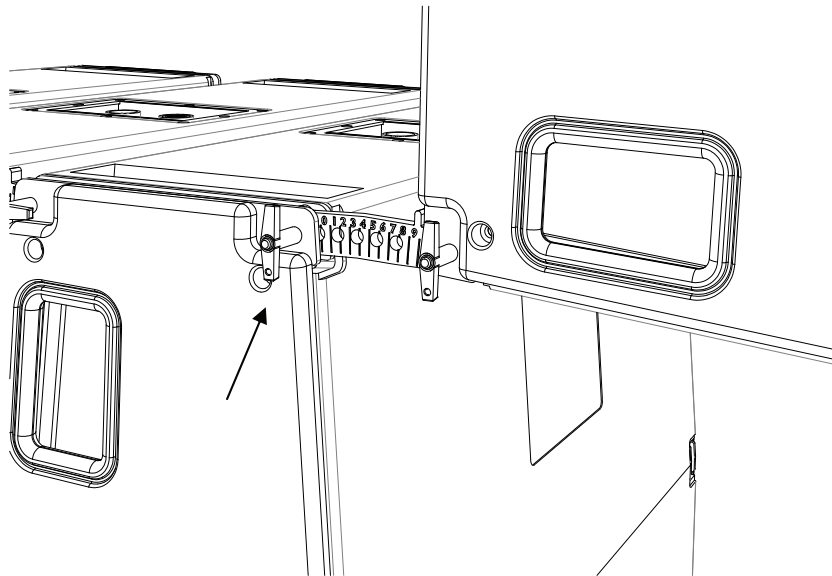


Figure 14: Selecting the angle between KUDO[®] #1 and #2

3. Raise the system to lift KUDO[®] #2 into position.

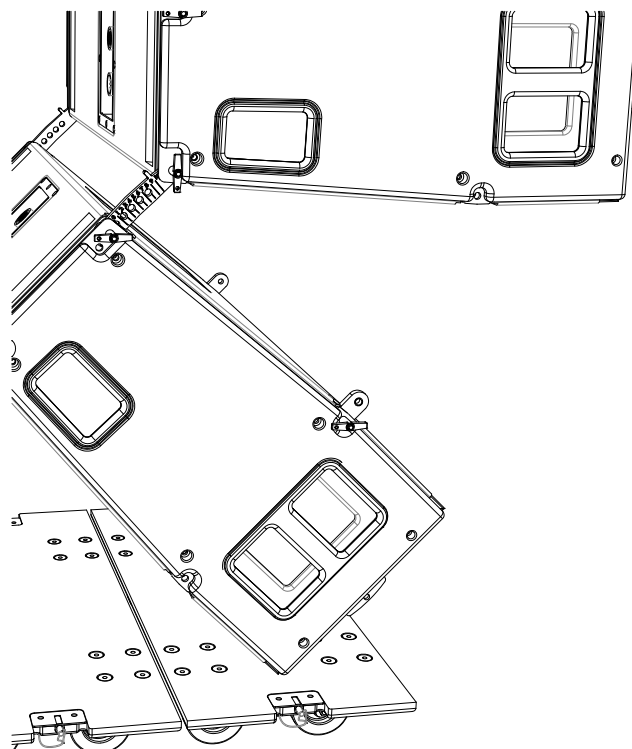


Figure 15: Raising KUDO[®] #2 into position

4. Secure KUDO® #2 to KUDO® #1 by attaching both BLP to both front rigging points.

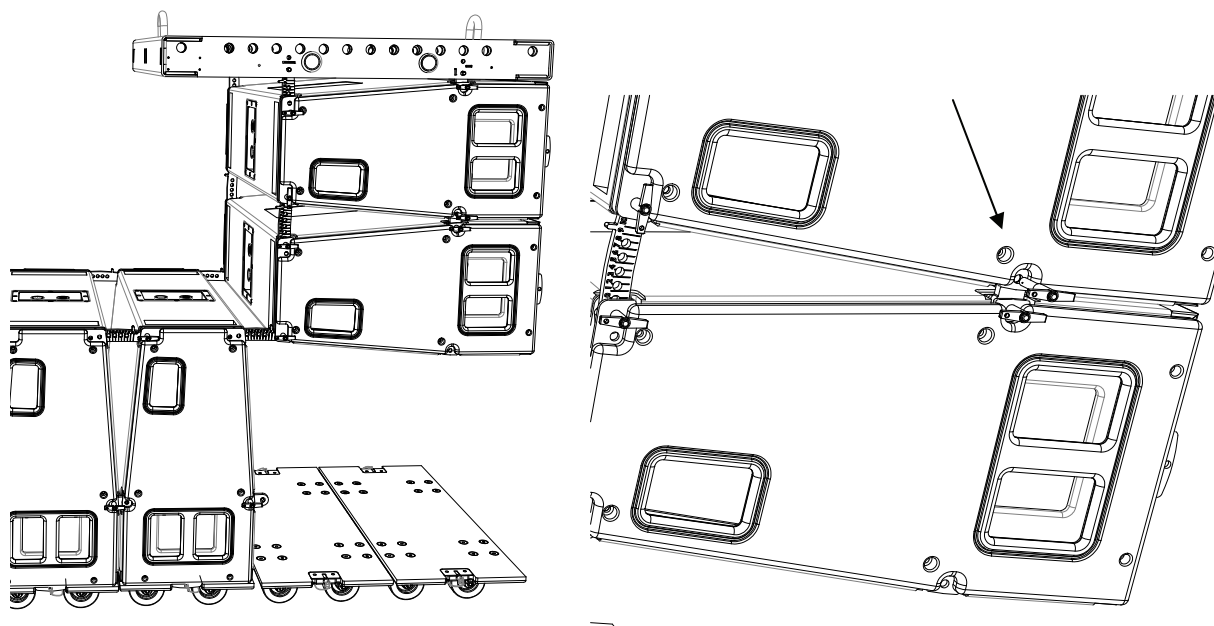


Figure 16: Securing KUDO® #2 to KUDO® #1

5. Repeat steps 2 through 4 for all KUDO® enclosures.
6. Arrange / stack the dolly boards.

6.1.3 Taking down the array

1. Remove both lower front BLP from the next to bottom KUDO® enclosure.

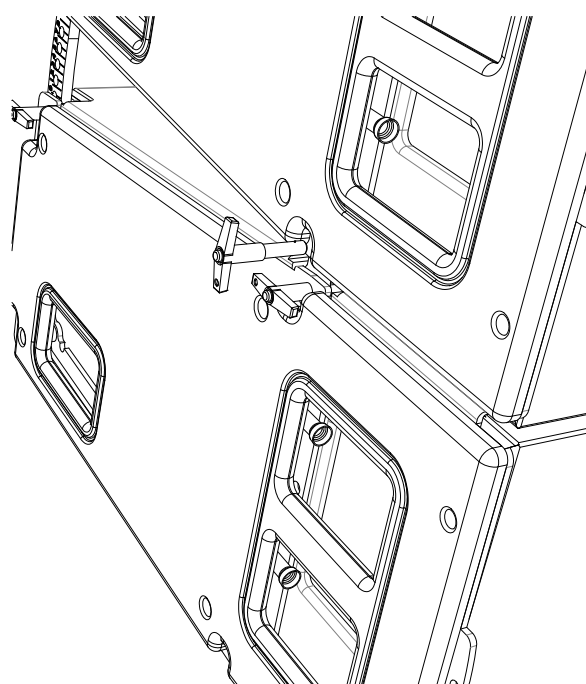


Figure 17: Detaching the next to bottom enclosure's front rigging points

2. Lower the system so as to land the bottom enclosure on its dolly board, attach both BLP.
3. Remove both rear angle selection BLP on the bottom enclosure (both rear inter-enclosure BLP remain attached).

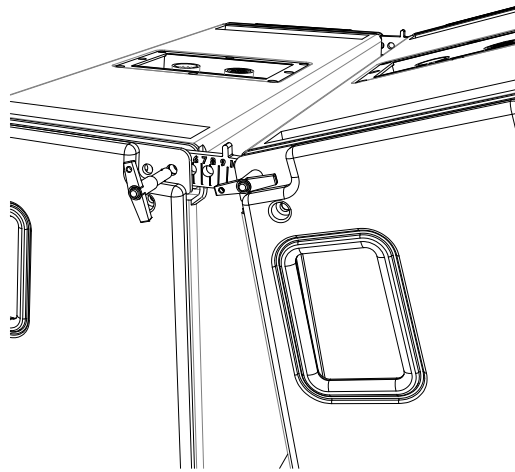


Figure 18: Removing both rear angle selection BLP

4. Repeat steps 1 through 3 until the entire system is landed.
5. Detach the motor hooks.
6. Take down the KBUMP by removing its 4 BLP and placing them into the 4 inner storage holes.



When removing the BLP support KBUMP in order to prevent it from falling.

7. For each KUDO® enclosure, remove all remaining BLP.
8. On both sides of each KUDO® enclosure:

- a. Push the rotating arm into the captive position.
- b. Arrange the front rigging point by pushing the rigging tab inwards so that it is flush with the enclosure.
- c. Place the 2 BLP in their storage locations (the rotating arm will be locked).

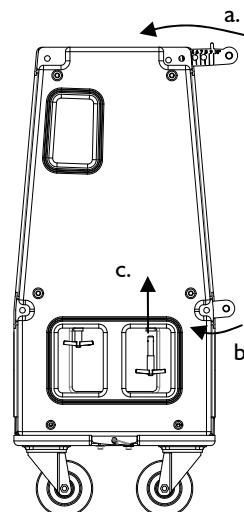


Figure 19: Preparing a KUDO® enclosure for transportation

6.2 Ground stacking a vertical line source array (using KBUMP and KJACKx2)

Before installation, in order to position and correctly place the array the user should use **L-ACOUSTICS® SOUNDVISION** software to determine:

- Number of KUDO® enclosures
- Angle between KBUMP and ground
- Inter-angle between KUDO® enclosures
- Check of the system's mechanical conformity



Always refer to the mechanical data and warning indications provided in SOUNDVISION to verify that safe system setup safety limits apply (see section “Mechanical Data” in the SOUNDVISION software).

Ensure that KBUMP is physically secured to the stacking platform or subwoofer stack using ratchet straps or any applicable materials.

The rigging method to stack the KUDO® system comprises the KBUMP and KUDO® elements as well as the KJACK accessories. Attaching one element to the next is done by using fully integrated components unique to each KUDO®. There is no need for any additional fastening accessory. Each KUDO® enclosure incorporates two rotating arms that lock into the device above, and four rigging points that lock into the device below, using ball locking pins (BLP).

The following procedures describe how to stack a vertical KUDO® line source array, and how to disassemble it.

6.2.1 Stacking the KUDO® array in the vertical position



All along the following procedure systematically ensure that each BLP is correctly secured by pulling on it.

- I. Line up the KUDO® enclosures and the KBUMP structure at the stacking location.

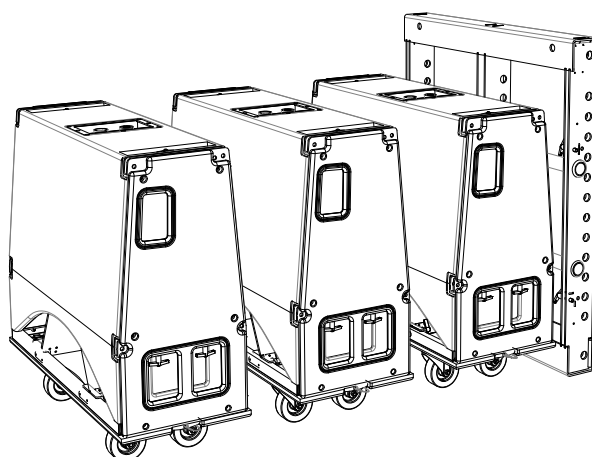


Figure 20: KUDO® and KBUMP at the stacking location

2. On each KUDO[®] enclosure, adjust the K-LOUVER[®] panels to the desired settings (see the “KUDO[®]” user manual).
3. On each KUDO[®] enclosure, remove the 8 BLP.
4. On both sides of each KUDO[®] enclosure, push forward the rotating arm tab (accessible in the handle pocket) and secure the front rigging point using the dedicated BLP.

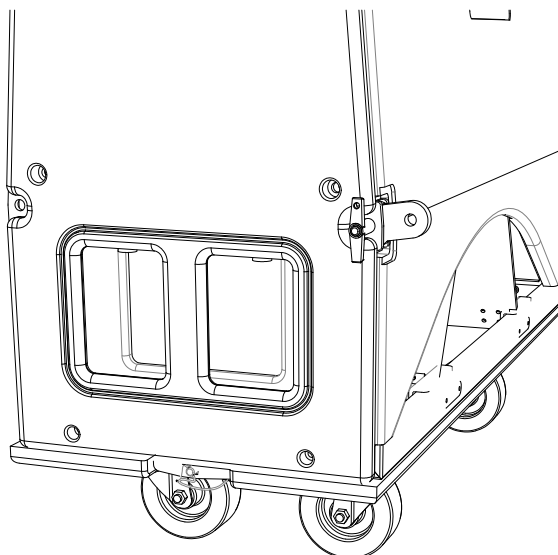


Figure 21: Securing the front rigging points

5. For each rotating arm on each KUDO[®] enclosure:
 - a. Manipulate the rotating arm to approx 10° to free the front rigging point.
 - b. Align the front rigging point and attach to next KUDO[®] enclosure.

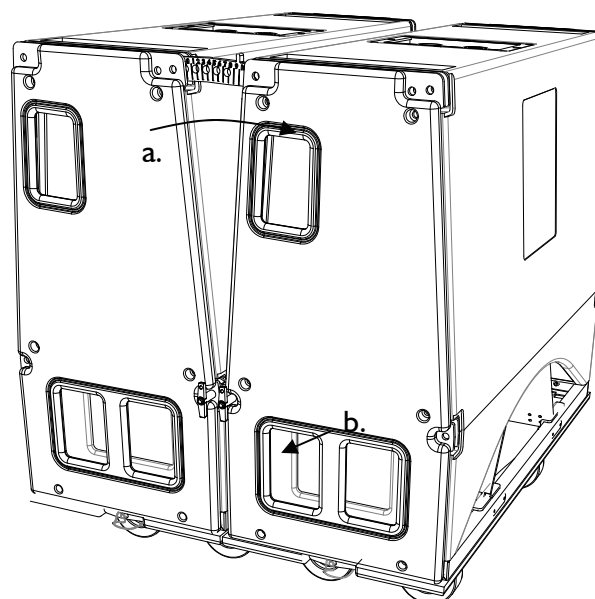


Figure 22: Securing the front rigging points to the next KUDO[®]

6. Select the angle between the bottom KUDO® and the KBUMP.

Note: Selecting the 5° angle sets the bottom KUDO® site angle parallel to the KBUMP (see also section 5.1).

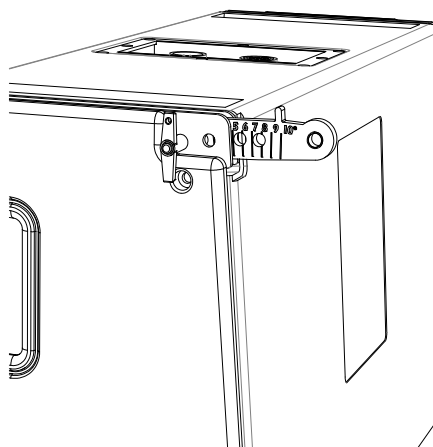


Figure 23: Selecting the first enclosure angle

7. a. Place the KBUMP in position by aligning the stop tabs with the bottom KUDO® front rigging points.



The KBUMP should be installed with the serial number tag oriented towards the rear of the array.
Support the KBUMP in order to prevent it from falling.

- b. Attach the 4 BLP in the outer storage holes so as to secure the KBUMP to the bottom KUDO® enclosure.

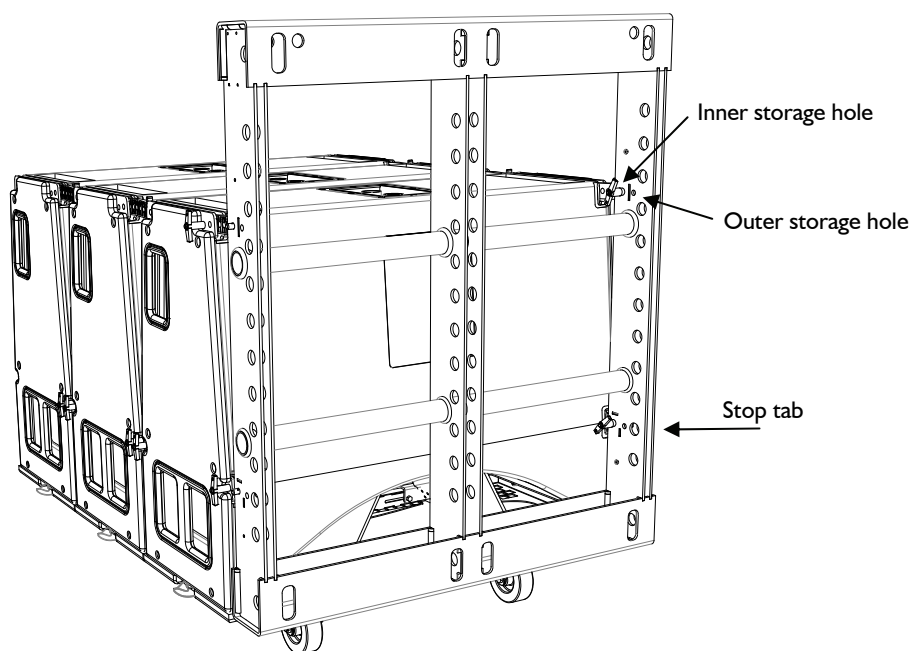


Figure 24: Placing the KBUMP onto the first KUDO®

8. On each KUDO[®] enclosure, pre-select the inter-enclosure angle based on SOUNDVISION simulation results.

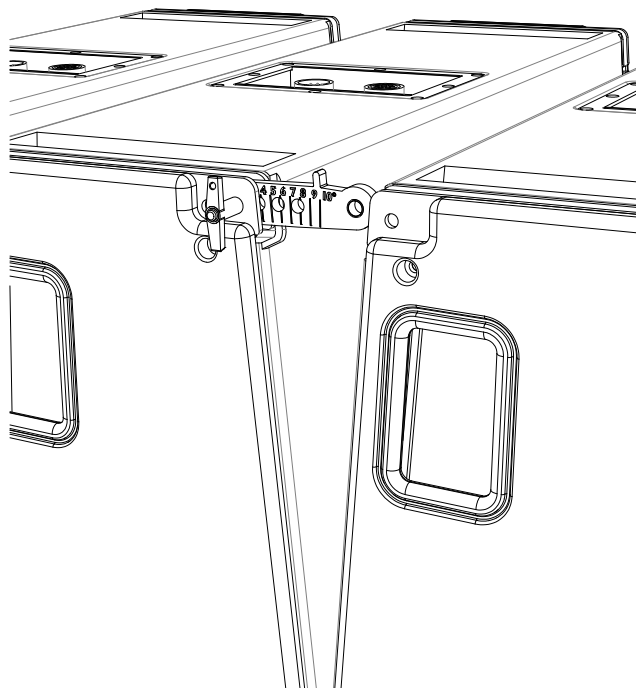


Figure 25: Pre-selecting inter-enclosure angles

9. For each KJACK:
 - a. Align the U-bracket with the KBUMP holes (threaded insert oriented downwards).
 - b. Slightly screw the rod.

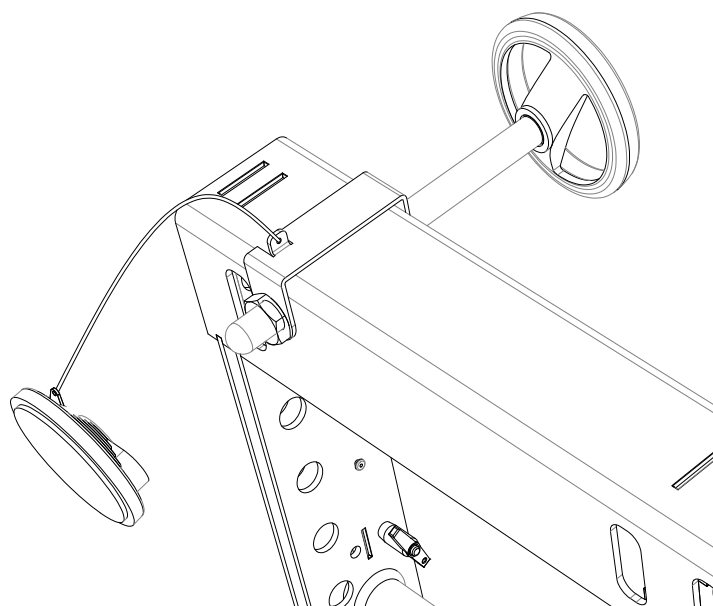


Figure 26: Installing KJACK onto KBUMP

10. Lift / rotate the stack.



A minimum of 2 people are required to lift a stack of 3 KUDO® enclosures.
 A minimum of 3 people are required to lift a stack of 4 or more KUDO® enclosures.
 Take care to avoid mechanical shock when landing the stack.

EN

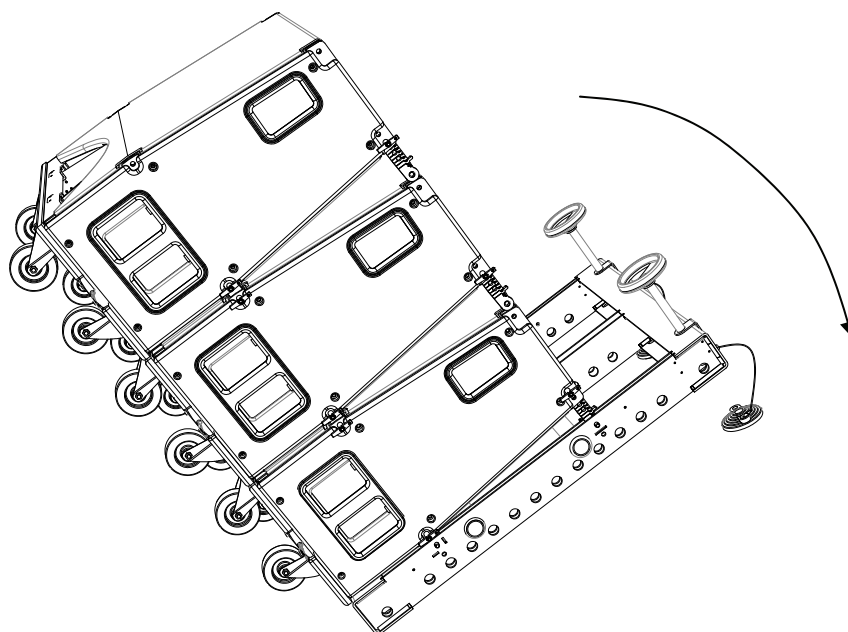


Figure 27: Lifting / rotating the stack

11. On each KUDO® enclosure, secure both remaining rear BLP.

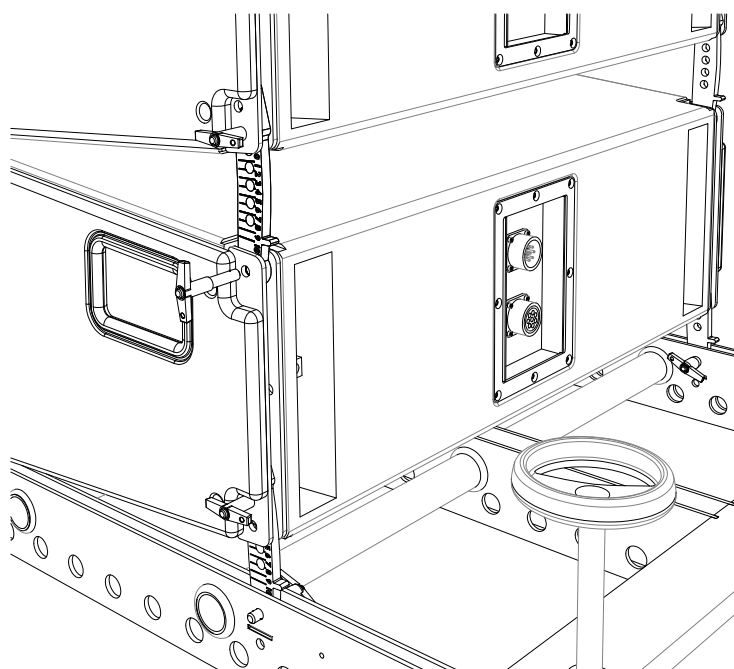


Figure 28: Securing the rear BLP

12. On each KUDO[®] enclosure, remove the dolly board by pulling on the captive BLP lanyards.

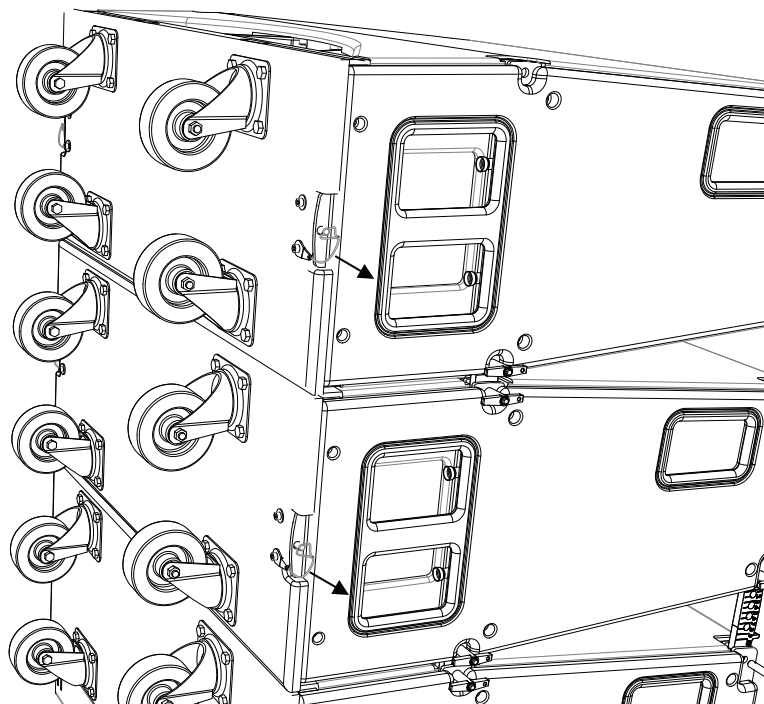


Figure 29: Pulling on the captive BLP lanyards

13. a. Slightly raise the stack and place one support base in position.
b. Use the base-supported KJACK to raise the stack and facilitate the placement of the second support base.

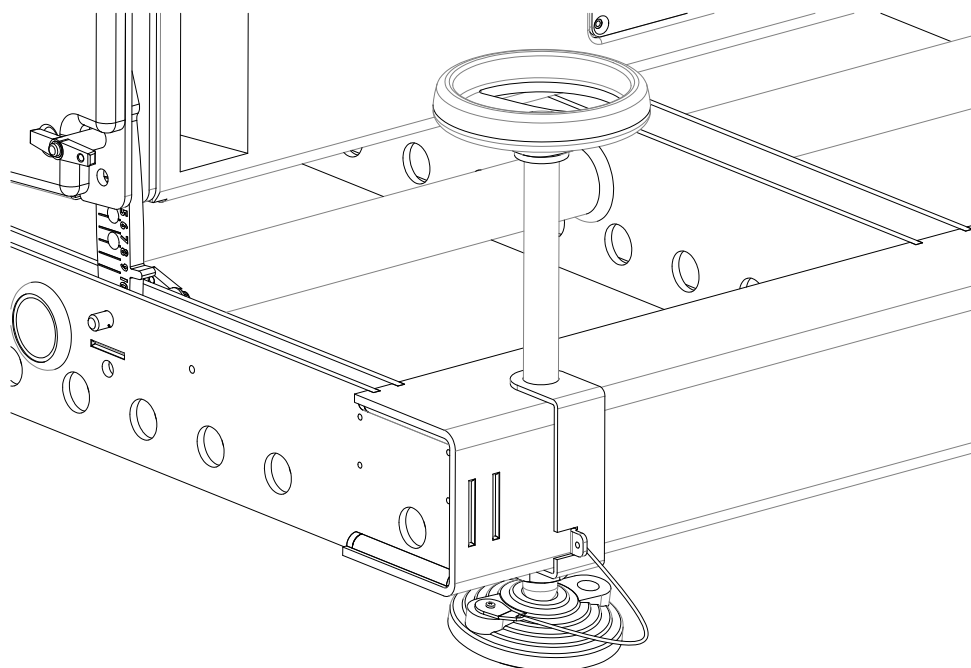


Figure 30: Placing the KJACK support bases in position

14. Set the KBUMP site angle (with reference to SOUNDVISION simulations) by screwing both KJACK accessories (see section 5.1).

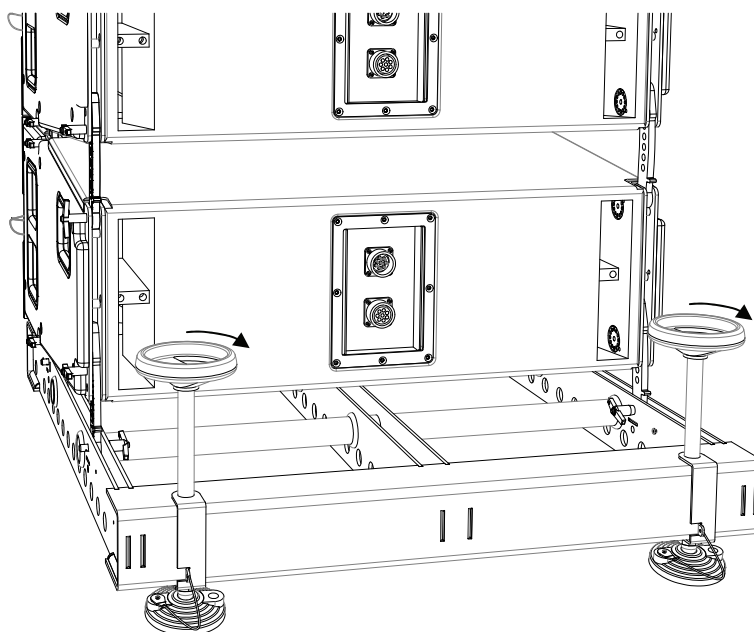


Figure 31: Setting the KBUMP site angle

15. Secure the system using ratchet straps or any applicable materials.

6.2.2 Disassembling the ground stacked array

1. Remove the ratchet straps or other securing materials.
2. On each KUDO® enclosure, remove both **lower rear** BLP.

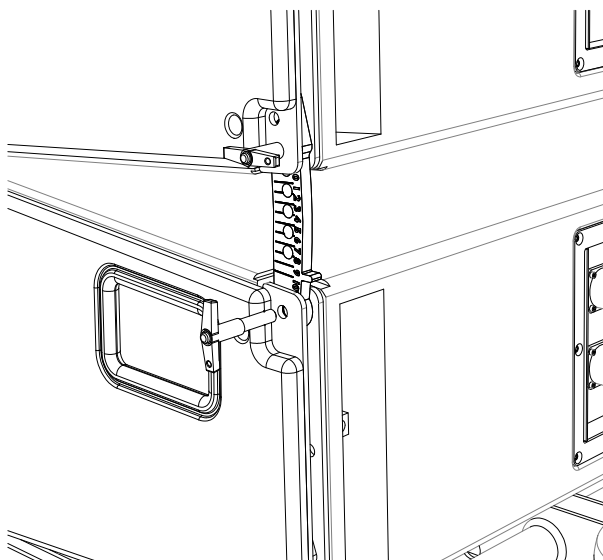


Figure 32: Removing the lower rear BLP

3. On each KUDO[®] enclosure, place the dolly board by attaching both captive BLP.

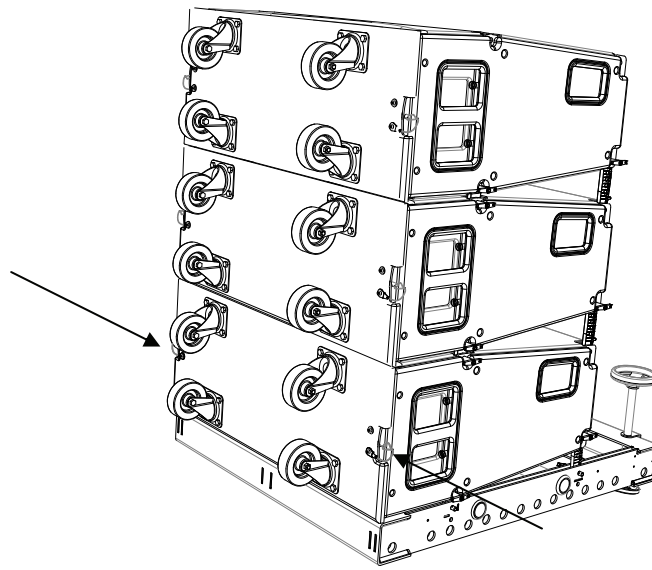


Figure 33: Installing the dolly boards

4. Lift / rotate the stack.



A minimum of 3 people are required to lift a stack of 3 KUDO[®] enclosures.
A minimum of 5 people are required to lift a stack of 4 or more KUDO[®] enclosures.
Take care to avoid mechanical shock when landing the stack.

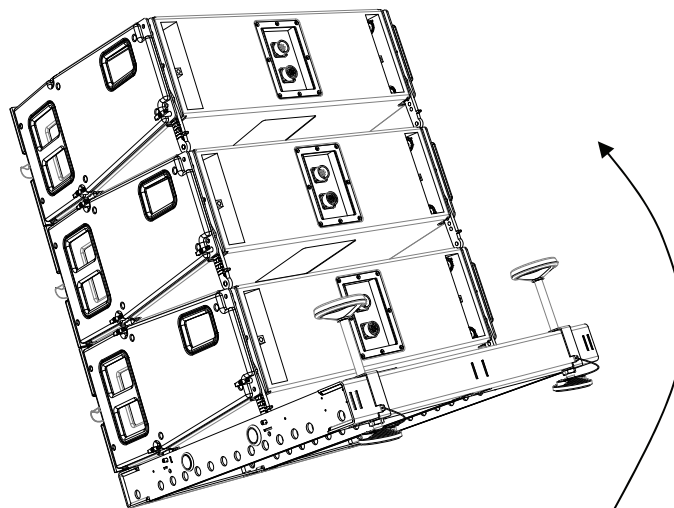


Figure 34: Lifting/rotating the stack

5. Take down the KBUMP and arrange the enclosures for transportation, as it is shown in steps 6 through 8 in section 6.1.3 (pay attention to the warning sign).

6.3 Flying a horizontal line source array (using KLIFT)

Before installation, in order to position and correctly place the array the user should use **L-ACOUSTICS® SOUNDVISION** software to determine:

- Correct hole position of the shackle on the KLIFT
- Number of KUDO® enclosures and KLIFT accessories
- Check of the system’s mechanical conformity



Always refer to the mechanical data and warning indications provided in SOUNDVISION to verify that safe system setup safety limits apply (see section “Mechanical Data” in the SOUNDVISION software).

The rigging method for flying the KUDO® system comprises the KLIFT and KUDO® elements. Attaching one element to the next is done by using fully integrated components unique to each KUDO®, with no need for any other external fastening accessory. Each KUDO® enclosure incorporates two rotating arms that lock into the device located on the right and four rigging points that lock into the device located on the left, using ball locking pins (BLP).

The following procedures will describe how to fly a 2-KUDO® horizontal line source array, and how to disassemble it. For larger arrays (see section 5.2) the procedure is similar.

6.3.1 Rigging and flying



All along the following procedure, systematically ensure that each BLP is secured to rigging point by pulling on it, and that screw pin is correctly locked on each shackle anchor.

Ensure that no one is standing under or in close proximity to the system when it is being raised in the air.

1. On the top of a first KUDO® enclosure, slide out the rotating arm. Select the 10° angle and secure both front and rear rigging points using two BLP.
2. Install the KLIFT accessory.

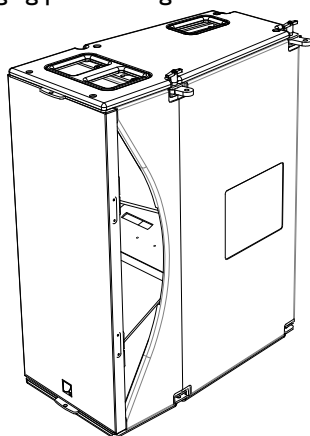


Figure 35: Securing both top rigging points

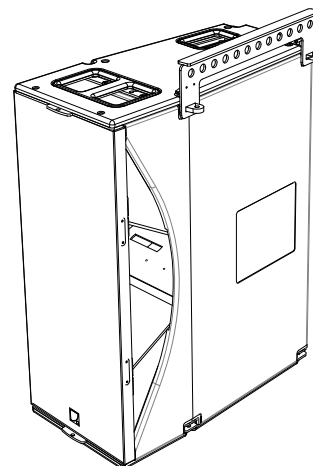


Figure 36: Installing the KLIFT

3. Install a second KUDO® enclosure and physically secure it to the first one using two BLP.

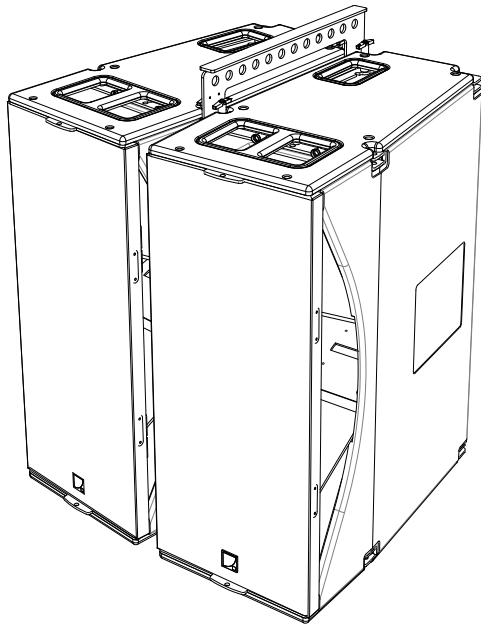


Figure 37: Securing KUDO® #2 to KUDO® #1

4. Secure the 18-shackle to the KLIFT at the chosen location (see appendix 9.2).

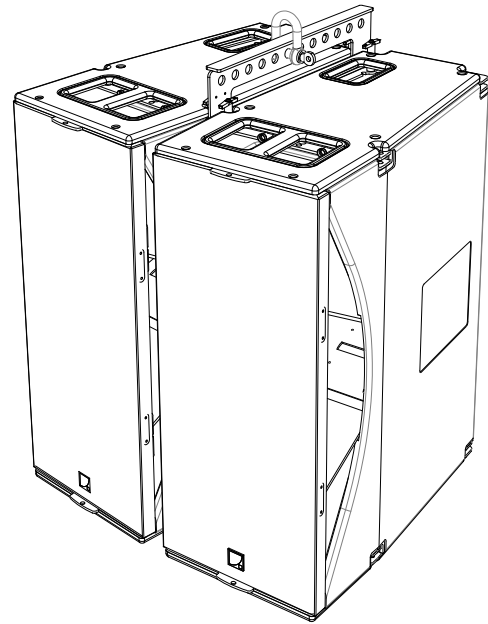


Figure 38: Installing the 18-shackle

5. Attach the motor hook to the 18-shackle and raise the system so as to reach the array's bottom part.
6. Slide out the lower rotating arm of the first KUDO® enclosure. Attach the four lower BLP to secure the array (with 10° angle setting).

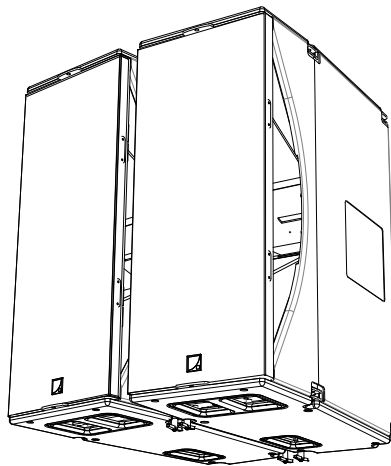


Figure 39: Securing the array's bottom part

7. Raise the system to desired eighth.

6.3.2 Disassembling

Disassembling the flown horizontal array is carried out in the opposite order of how it was assembled by reversing the order described in steps 1 through 7 of section 6.3.1 (**pay attention to the warning sign**).

7 CARE AND MAINTENANCE

The components for assembling the KUDO[®] system are as follows:

- KBUMP rigging structure, 22-shackles, and ball locking pins.
- KLIFT rigging accessory and 18-shackle.
- KJACKx2 rigging accessories.
- Rotating arms, ball locking pins, and rigging points on each KUDO[®] enclosure.

If components are used in the manner as described in this manual they will remain fully operational over the life of the enclosures. However, in order to guaranty the system durability it is necessary to regularly check the following points:



The KBUMP, KLIFT, and KJACK accessories as well as the shackles and ball locking pins should not show any deformation, crack, or rust.



The metal components of the KUDO[®] enclosures should not show any signs of deformation, indentation, or rust. They must be securely fixed to the enclosure. Any enclosure incorporating a part showing signs of defect must immediately be put aside and withdrawn from use to be inspected by qualified service personnel.



Ensure that each ball locking pin on the KUDO[®] enclosures and KBUMP structure operates correctly by moving its mechanism and checking that it automatically returns to nominal position.

8 SPECIFICATIONS

Reference	KBUMP
Dimensions (L x H x P)	866 x 100 x 1000 mm ⇔ 34.1 x 3.9 x 39.4 in.
Weight	44 kg ⇔ 97 lb.
Setup safety limits ¹	
Flown vertical array	Maximum of 21 KUDO® enclosures per KBUMP
Stacked vertical array	Maximum of 6 KUDO® enclosures per KBUMP and pair of KJACK
Material	black epoxy-coated steel
Complementary accessories	KJACK wheel-handled threaded rods for stacking a vertical array (available as an option) 2 shackles with 22 mm/0.87 in. screw pin

¹ Installation safety limits are specified in the SOUNDVISION software which is designed to help with L-ACOUSTICS® product implementation.

Reference	KLIFT
Dimensions (L x H x P)	508 x 130 x 34 mm ⇔ 20 x 5.1 x 1.3 in.
Weight	2 kg ⇔ 4.4 lb.
Setup safety limits ¹	
Flown horizontal array	Maximum of 6 KUDO® enclosures per KLIFT
Material	black epoxy-coated steel
Complementary accessory	1 shackle with 18 mm/0.71 in. screw pin

¹ Installation safety limits are specified in the SOUNDVISION software which is designed to help with L-ACOUSTICS® product implementation.

9 APPENDIX

9.1 KBUMP rigging points

Up to 21 KUDO® can be flown as a vertical line source array using the KBUMP rigging structure. The hole numbering convention for KBUMP is shown in Figure 40.

EN

Note: KBUMP should be installed with the serial number tag oriented towards the rear of the array.

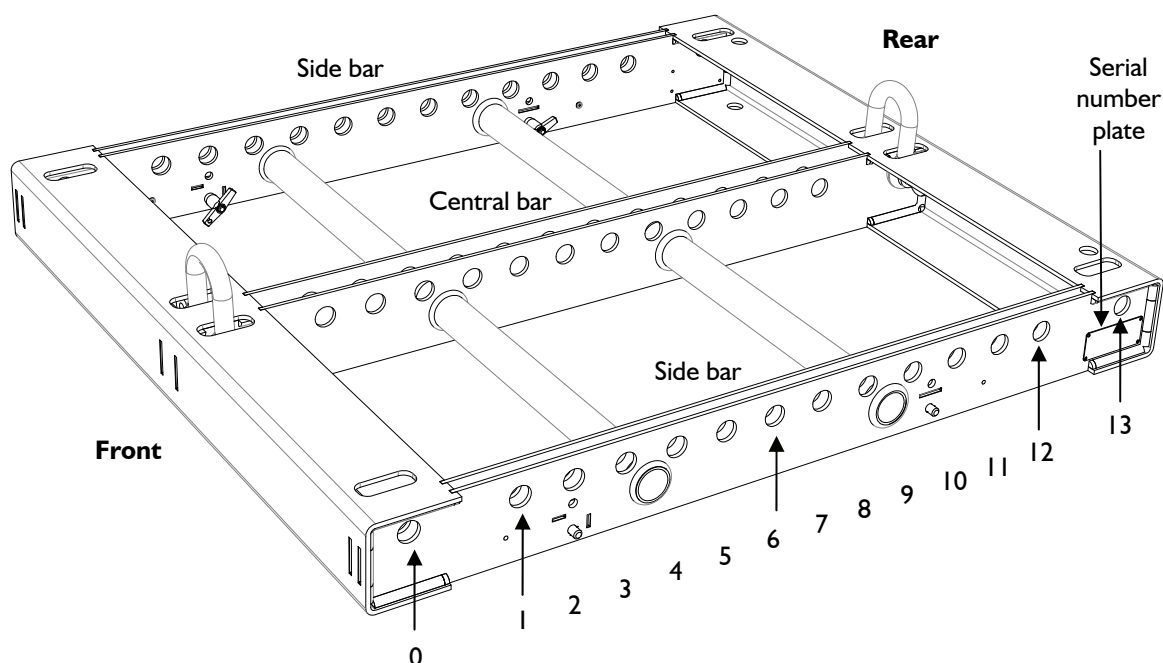


Figure 40: KBUMP hole numbering convention

Single-point hang can be performed off the central bar using holes from 1 to 12.

Dual-point unbridled hang can be performed off the side bars using holes from 1 to 12 (point spacing is 823 mm / 32.4 in.) or off the central bar using holes 0 and 13 (point spacing is 900 mm / 35.4 in.).

For large arrays it is recommended to use two bridled-point hangs from the side bars using holes 0 and 13 (point spacing is 900 mm / 35.4 in.).

The security coefficient depends on the exact manner in which the system is flown. On figure below, the single-point hang has Ultimate Strength Safety Factor greater than 4:1 for up to 21 KUDO®. All other options have Ultimate Strength Safety Factors greater than 6:1.

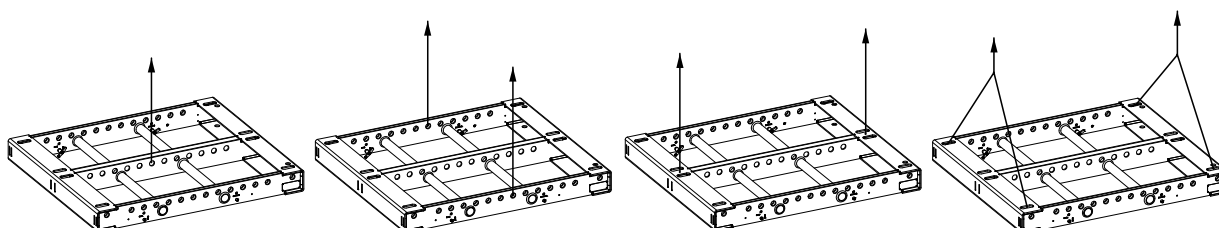


Figure 41: KBUMP rigging options

9.2 KLIFT site angle setting

When flying a horizontal KUDO[®] array underneath one or two KLIFT rigging accessories, the site angle is set by securing the 18-shackle into one of the 12 pick point holes numbered below:

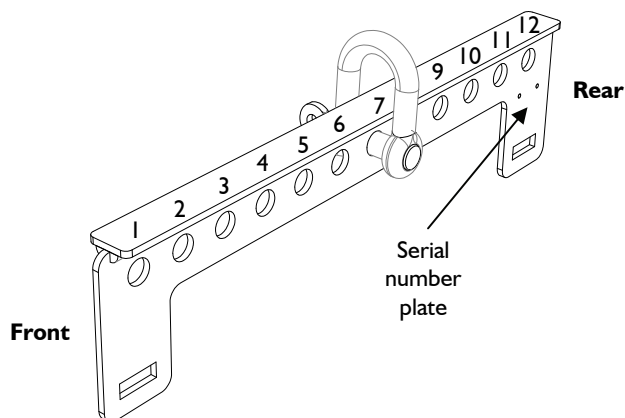


Figure 42: KLIFT hole numbering convention

The site angles corresponding to pick point holes are given in the following chart for two or three KUDO[®] enclosures:

Table 1: Pick point holes numbers and corresponding angles

Pick Point Hole Number	Site angle for 2 KUDO [®] (1 KLIFT)	Site angle for 3 KUDO [®] (2 KLIFT)
1	+12.8 °	+14.3 °
2	+8.3 °	+9.8 °
3	+3.6 °	+5.2 °
4	-1 °	-0.5 °
5	-5.7 °	-4.2 °
6	-10.3 °	-8.8 °
7	-14.8 °	-13.3 °
8	-19.1 °	-17.7 °
9	-23.2 °	-21.8 °
10	-27 °	-25.8 °
11	-30.6 °	-29.5 °
12	-34 °	-32.9 °

Note: Please refer to SOUNDVISION calculations for larger horizontal KUDO[®] array configurations (Figure 43).



Always refer to the mechanical data and warning indications provided in SOUNDVISION to verify that safe system setup safety limits apply (see section “Mechanical Data” in the SOUNDVISION software).

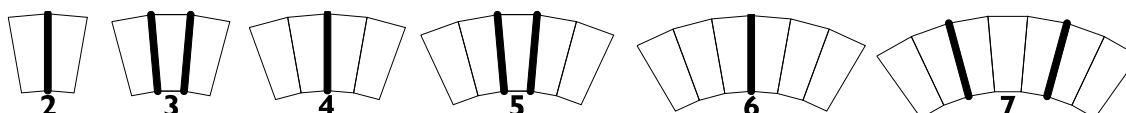


Figure 43: Two to seven-KUDO[®] horizontal arrays with KLIFT accessories

1 DÉCLARATIONS DE SÉCURITÉ

Les informations détaillées ci-dessous s'appliquent à la structure d'accrochage **L-ACOUSTICS® KBUMP** ou à l'un des accessoires d'accrochage **L-ACOUSTICS® KLIFT** ou **KJACK**, dénommé par la suite **“le produit”**.

1.1 Symboles utilisés

Tout au long de ce manuel les risques potentiels sont signalés par les symboles suivants :



Le symbole **WARNING** signale un risque d'atteinte à l'intégrité physique de l'utilisateur et de toute autre personne présente.
Le produit peut de plus être endommagé.



Le symbole **CAUTION** signale un risque de dégradation du produit.



Le symbole **IMPORTANT** signale une recommandation d'utilisation importante.

1.2 Consignes de sécurité importantes

1. Lire le présent manuel
2. Suivre les consignes de sécurité
3. Suivre les instructions
4. N'utiliser en aucun cas des équipements ou accessoires non approuvés par **L-ACOUSTICS®**



5. Qualification du personnel

L'installation du système doit être effectuée par un personnel qualifié et formé aux techniques d'accrochage et consignes de sécurité décrites dans le présent manuel.
Il est recommandé de suivre les sessions de formation **L-ACOUSTICS®** avant de procéder à l'installation.



6. Santé et sécurité du personnel

Au cours de l'installation et du réglage du système toute personne présente doit porter un casque et des chaussures de sécurité.
Dans aucune circonstance le personnel n'est autorisé à escalader un assemblage d'enceintes.



7. Vérification du matériel

Tous les éléments du système doivent être inspectés avant utilisation afin de détecter d'éventuels défauts.

Prière de se référer à la section "Entretien et maintenance" de ce manuel et des manuels des autres éléments du système pour description des procédures d'inspection.

Tout élément présentant un défaut doit immédiatement être marqué et placé hors du circuit d'utilisation pour inspection par un service de maintenance agréé.



8. Équipements de levage complémentaires

L-ACOUSTICS® ne peut être tenu responsable de l'utilisation d'équipements et d'accessoires de levage fournis par d'autres fabricants.

Il est de la responsabilité de l'utilisateur de s'assurer que la Charge Maximale d'Utilisation (CMU) de tout équipement de levage complémentaire soit supérieure au poids total du système suspendu.



9. Points de suspension

Il est de la responsabilité de l'utilisateur de s'assurer que la Charge Maximale d'Utilisation (CMU) des points de suspension soit supérieure au poids total du système suspendu.



10. Limites mécaniques du système

Lors du posage ou du levage du système il est de la responsabilité de l'utilisateur de respecter les limites mécaniques décrites dans ce manuel.

Avant montage, vérifier la conformité mécanique de toute configuration à l'aide d'une modélisation dans le logiciel SOUNDVISION (section "Mechanical Data").



11. Règlementation locale

Certains pays imposent des Coefficients de Sécurité à la Rupture supérieurs et une réglementation spécifique pour l'installation en hauteur. Il est de la responsabilité de l'utilisateur de s'assurer que tout levage d'un système L-ACOUSTICS® soit réalisé dans le strict respect de la réglementation locale en vigueur.

De manière générale, L-ACOUSTICS® recommande l'utilisation d'élingues de sécurité pour toute installation en hauteur.



12. Levage d'un système

S'assurer que personne ne se trouve au-dessous d'un système lors de son levage.

Au cours du levage du système vérifier que chaque élément soit bien accroché à l'élément immédiatement supérieur.

Ne jamais relâcher la surveillance du système pendant la procédure d'installation.



13. Posage d'un système

Ne pas poser un système sur un sol ou plateforme instable.

Si le système est posé sur une structure, plateforme, ou scène, toujours vérifier que cette dernière puisse supporter le poids total du système.

Arrimer le système à la structure, plateforme, ou scène à l'aide de sangles à rochet ou tout autre moyen approprié.



14. Charge dynamique

L'influence du vent doit être prise en compte lorsqu'un système est installé en plein air. Le vent peut engendrer des efforts dynamiques sur les éléments d'accrochage et les points de suspension. Si la force du vent est supérieure à 6 sur l'échelle de Beaufort il est fortement recommandé de descendre et /ou de sécuriser le système.



15. Manuel

Conserver ce manuel en lieu sûr pendant la durée de vie du produit. Ce manuel en fait partie intégrante. La revente du produit n'est possible qu'accompagnée du présent manuel. Toute modification du produit doit être consignée dans ce manuel en cas de revente.

FR

1.3 Déclaration de conformité CE

L-ACOUSTICS

13 rue Levacher Cintrat
Parc de la Fontaine de Jouvence
91462 Marcoussis Cedex
France

Déclare que les produits suivants :

Structure d'accrochage, KBUMP
Accessoire d'accrochage, KLIFT
Accessoires d'accrochage, KJACK

Sont conformes aux dispositions de :
Directive Machine 98/37/CE

Règles et standards appliqués :
EN ISO 12100-1 : 2004

Fait à Marcoussis le 20/12/2004



Jacques Spillmann

2 SOMMAIRE

1	DÉCLARATIONS DE SÉCURITÉ	1
1.1	Symboles utilisés	1
1.2	Consignes de sécurité importantes.....	1
1.3	Déclaration de conformité CE.....	3
2	SOMMAIRE	4
3	INTRODUCTION	5
3.1	Bienvenue chez L-ACOUSTICS®	5
3.2	Déballage du produit	5
4	SYSTÈME KUDO®	6
5	ÉLÉMENTS D'ACCROCHAGE DU KUDO®	7
5.1	Éléments d'accrochage KBUMP et KJACK.....	7
5.2	Accessoire d'accrochage KLIFT	9
6	INSTALLATION	10
6.1	Levage d'une ligne source verticale (avec la structure KBUMP)	10
6.1.1	Assemblage des enceintes KUDO® et de la structure KBUMP	10
6.1.2	Levage	13
6.1.3	Démontage	15
6.2	Posage d'une ligne source verticale (avec les éléments KBUMP et KJACK)	17
6.2.1	Posage	17
6.2.2	Démontage	23
6.3	Levage d'une ligne source horizontale (avec l'accessoire KLIFT)	25
6.3.1	Accrochage et levage	25
6.3.2	Démontage	26
7	ENTRETIEN ET MAINTENANCE	27
8	SPÉCIFICATIONS TECHNIQUES	28
9	ANNEXES	29
9.1	Points d'accrochage du KBUMP	29
9.2	Réglage de l'angle de site du KLIFT	30

3 INTRODUCTION

3.1 Bienvenue chez L-ACOUSTICS®

Merci d'avoir fait l'acquisition d'enceintes **Multi-Mode WST® L-ACOUSTICS® KUDO®**.

Ce manuel contient les informations indispensables au bon déroulement des procédures d'accrochage des systèmes **L-ACOUSTICS® KUDO®**. Il est nécessaire de lire attentivement ce manuel pour se familiariser avec les procédures.

En raison de l'évolution constante des techniques et des normes, L-ACOUSTICS® se réserve le droit de modifier sans préavis les caractéristiques des produits et les informations contenues dans ce manuel. Se référer au site internet www.l-acoustics.com pour obtenir la dernière version de ce manuel.

Si le produit nécessite une réparation ou pour tout renseignement sur la garantie, contacter un distributeur agréé. Les coordonnées du distributeur le plus proche sont disponibles sur le site internet www.l-acoustics.com.

3.2 Déballage du produit

Dès réception, inspecter soigneusement le produit afin de détecter un éventuel défaut. Chaque produit L-ACOUSTICS® est soigneusement contrôlé en sortie d'usine et doit être livré en parfait état.

À la découverte du moindre défaut, prévenir immédiatement la société de transport ou le distributeur. Seul le destinataire peut faire réclamation pour tout dommage occasionné pendant le transport. Conservez le carton et les pièces d'emballage pour constatation de la part de la société de livraison.

Le produit KBUMP comprend les éléments suivants :

- Une structure d'accrochage **L-ACOUSTICS® KBUMP** avec 4 goupilles de verrouillage à bille, désignées "**GVB**" par la suite.
- Deux manilles munies chacune d'un axe fileté de diamètre 22 mm/0.87 in., désignées "**manilles 22**" par la suite.

Le produit KLIFT comprend les éléments suivants :

- Une barre d'accrochage **L-ACOUSTICS® KLIFT**.
- Une manille munie d'un axe fileté de diamètre 18 mm/0.71 in., désignée "**manille 18**" par la suite.

Le produit KJACK comprend les éléments suivants :

- Deux tiges filetées avec volant.
- Deux ensembles étrier/support/élingue.

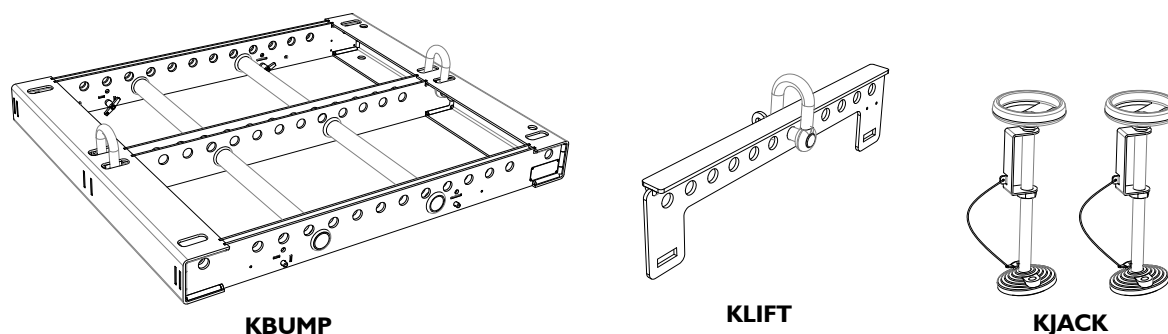


Figure 1 : Accessoires d'accrochage du KUDO®

4 SYSTÈME KUDO®

La structure **L-ACOUSTICS® KBUMP** ainsi que les accessoires **KLIFT** et **KJACK** sont dédiés au levage ou au posage du système **KUDO®**.

L'approche système développée par L-ACOUSTICS® pour le KUDO® comprend un ensemble d'éléments qui, associés les uns aux autres, supportent et optimisent toutes les configurations possibles. Les principaux éléments du système sont :

KUDO®	⇒	Enceinte active 3 voies, large bande
KBUMP	⇒	Structure dédiée au levage ou posage d'une ligne source de KUDO® verticale
KJACK	⇒	Accessoires complémentaires du KBUMP pour poser une ligne source KUDO®
KLIFT	⇒	Structure dédiée au levage d'une ligne source KUDO® horizontale
KPLA-2, KCOV	⇒	Plateau à roulettes amovible et housse de protection pour le transport du KUDO®
SB118, SB28	⇒	Enceintes sub-graves pour étendre la réponse en fréquence du système
LA8	⇒	Contrôleur amplifié dédié
SOUNDVISION	⇒	Logiciel de simulation acoustique et mécanique
LA NETWORK MANAGER	⇒	Logiciel de pilotage à distance des contrôleurs amplifiés



Figure 2 : Eléments constitutifs du système KUDO®

Chaque configuration devrait être préalablement modélisée dans l'application **L-ACOUSTICS® SOUNDVISION** pour en vérifier la conformité mécanique. La description complète de l'application SOUNDVISION dépasse l'objectif du présent manuel. Pour une information détaillée se référer à la documentation appropriée téléchargeable du site internet www.l-acoustics.com.

5 ÉLÉMENTS D'ACCROCHAGE DU KUDO®

5.1 Éléments d'accrochage KBUMP et KJACK

La structure d'accrochage **L-ACOUSTICS® KBUMP** est exclusivement dédiée à l'accrochage ou posage des enceintes **L-ACOUSTICS® KUDO®** en ligne source verticale à courbure variable.

FR

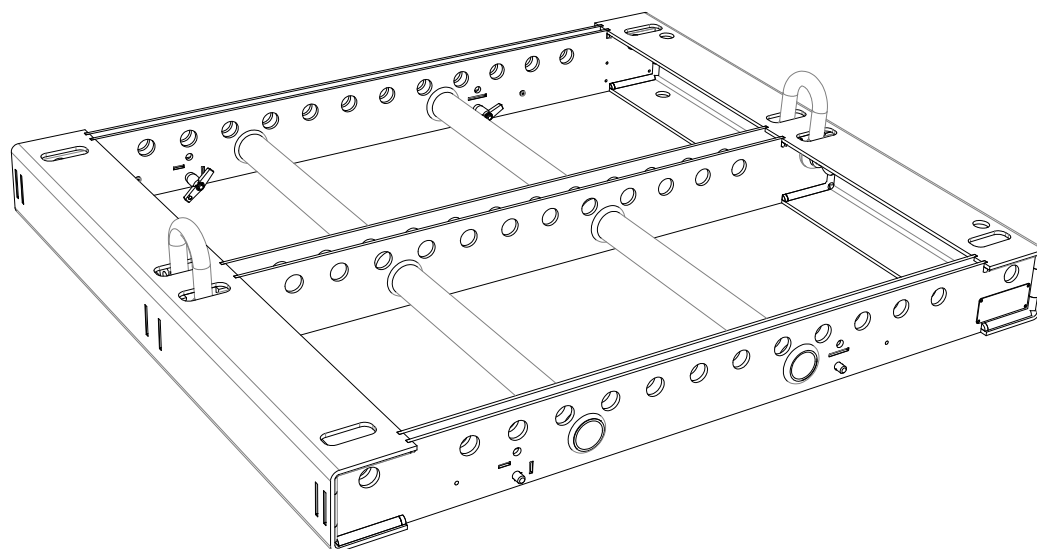


Figure 3 : Le KBUMP et ses deux manilles

Le KBUMP est fourni avec deux manilles 22 (Figure 3) pouvant supporter chacune une masse totale de 2000 kg/4409 lb. avec un Coefficient de Sécurité à la Rupture de 5 :1. Treize points d'accrochage sont prévus sur la barre centrale ainsi que sur les barres latérales pour plusieurs options de levage. Prière de se reporter à l'annexe 9.1 pour une description détaillée de ces options.



La charge maximale supportée par le KBUMP est de 1830 kg / 4034 lb.

Ainsi, il est possible de suspendre au maximum 21 enceintes KUDO® à la structure KBUMP sans aucune charge supplémentaire.

Avant montage, toujours vérifier la tenue mécanique d'un système par modélisation dans le logiciel SOUNDVISION (section "Mechanical Data").

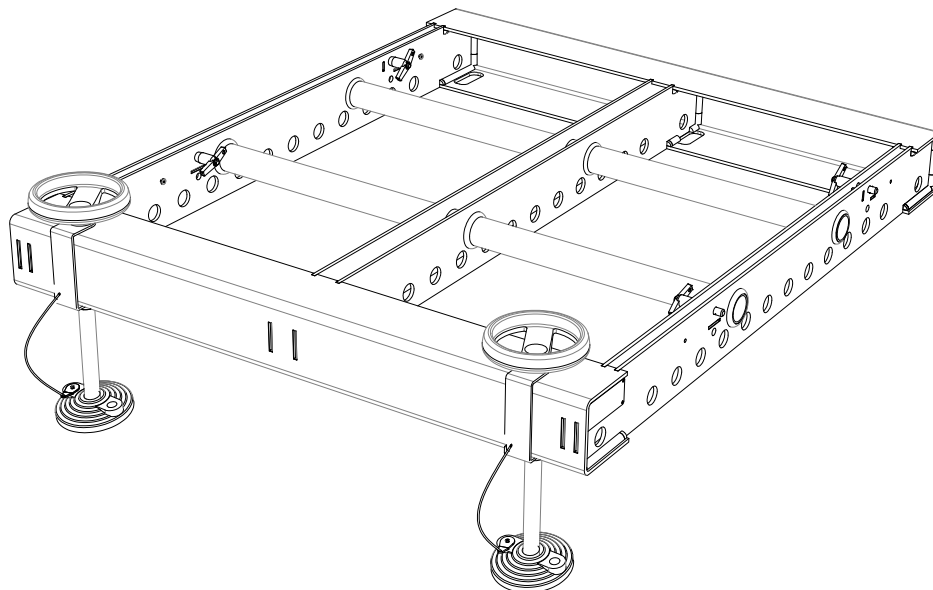


Figure 4 : Éléments KBUMP et KJACK pour poser une ligne source KUDO® verticale

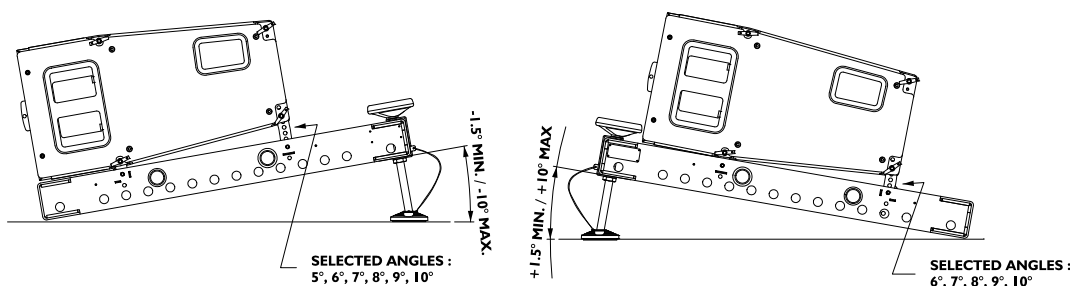
KBUMP peut également servir de plateforme horizontale ou anglée pour poser au sol une ligne source KUDO® verticale (Figure 4).



Six enceintes KUDO® au maximum peuvent être posées sur un KBUMP horizontal (angle de site fixé à 0°).

Quand le KBUMP est utilisé avec les accessoires complémentaires KJACK pour former une plateforme anglée les limitations suivantes doivent être strictement respectées :

Angle de site du K-BUMP	[-10°, -9°[[-9°, -7°[[-7°, -6°[[-6°, -1.5°]	[1.5°, 2°[[2°, 9°[[9°, 10°]
Nombre maximum de KUDO®	3	4	5	6	6	5	4



Et de manière générale, avant montage, toujours vérifier la tenue mécanique d'un système par modélisation dans le logiciel SOUNDVISION (section "Mechanical Data").

S'assurer que le KBUMP est solidarisé à la plateforme ou à l'empilement d'enceintes sub-graves sur lequel il est posé au moyen de sangles à rochet ou tout autre équipement approprié.

5.2 Accessoire d'accrochage KLIFT

L'accessoire **L-ACOUSTICS® KLIFT** est exclusivement dédié au levage des enceintes **L-ACOUSTICS® KUDO®** en ligne source horizontale à courbure constante de 10°.

Le KLIFT est fourni avec une manille 18 (Figure 5) pouvant supporter une masse totale de 1250 kg / 2756 lb. avec un Coefficient de Sécurité à la Rupture de 5 : 1. Douze points d'accrochage sont prévus sur le KLIFT régler l'angle de site. Prière de se reporter à l'annexe 9.2 pour une description détaillée des configurations possibles.

FR

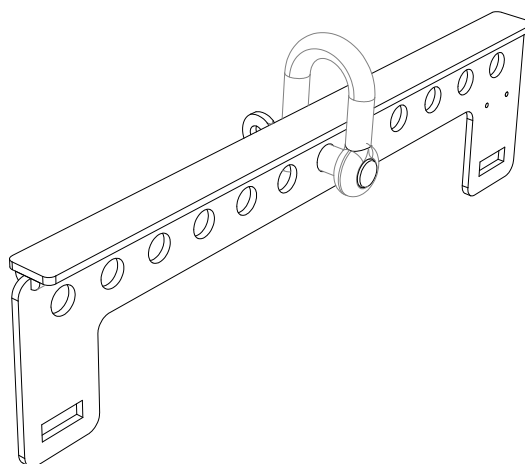


Figure 5 : Accessoire KLIFT muni de sa manille

Un ou plusieurs accessoires KLIFT peuvent suspendre des lignes sources horizontales composées d'au moins 2 enceintes KUDO®. La Figure 6 montre six exemples de lignes sources comportant un ou deux points de suspension : on peut constater que seules les configurations symétriques sont acceptables car elles équilibrent le centre de gravité de l'ensemble.



Un seul KLIFT peut supporter une charge maximale de 522 kg / 1150 lb. et peut donc suspendre un maximum de 6 enceintes KUDO® sans aucune charge supplémentaire.
Toute configuration comprenant un ou plusieurs accessoires KLIFT devrait être préalablement modélisée dans le logiciel SOUNDVISION.
Avant montage, toujours vérifier la tenue mécanique d'un système par modélisation dans le logiciel SOUNDVISION (section "Mechanical Data").

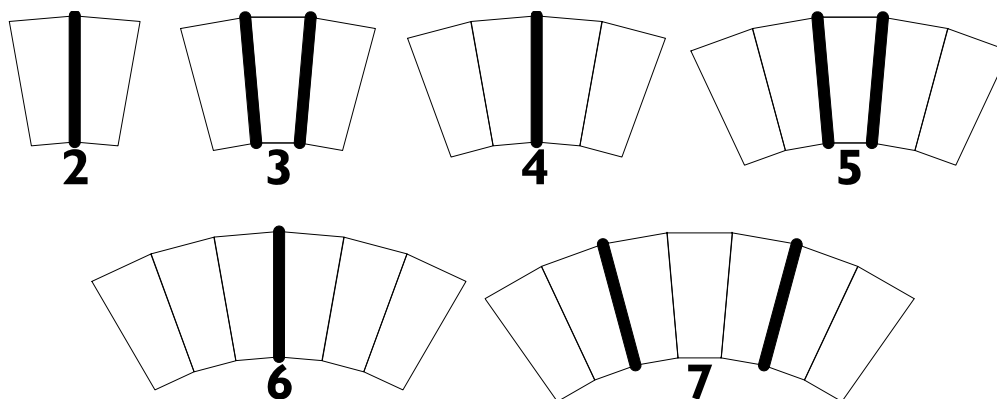


Figure 6 : Lignes sources horizontales de 2 à 7 enceintes KUDO® avec accessoires KLIFT

6 INSTALLATION

6.1 Levage d'une ligne source verticale (avec la structure KBUMP)

Avant l'installation l'utilisateur peut modéliser la configuration du système à l'aide du logiciel **L-ACOUSTICS® SOUNDVISION**. Ce dernier fournit les données suivantes :

- Position de la manille de suspension sur le KBUMP
- Nombre d'enceintes KUDO®
- Angles entre chaque enceinte KUDO®
- Vérification de la conformité mécanique du système



Avant montage, toujours vérifier la tenue mécanique d'un système par modélisation dans le logiciel SOUNDVISION (section "Mechanical Data").

Le dispositif d'accrochage KUDO® est entièrement captif et permet d'assembler les éléments KUDO® et KBUMP entre eux sans aucun accessoire extérieur. Chaque enceinte KUDO® s'accroche à l'enceinte précédente par 2 bras rotatifs, et à l'enceinte suivante par 4 points d'accrochage, en utilisant des goupilles de verrouillage à billes (GVB).

Les procédures suivantes décrivent le levage d'une ligne source verticale KUDO®, puis son démontage.

6.1.1 Assemblage des enceintes KUDO® et de la structure KBUMP



Au cours de la procédure suivante vérifier systématiquement que chaque GVB soit correctement enclenchée en tirant dessus, et que l'axe fileté de chaque manille soit fermement vissé dans son insert.

1. Aligner la structure KBUMP et toutes les enceintes KUDO® sous le point de levage.

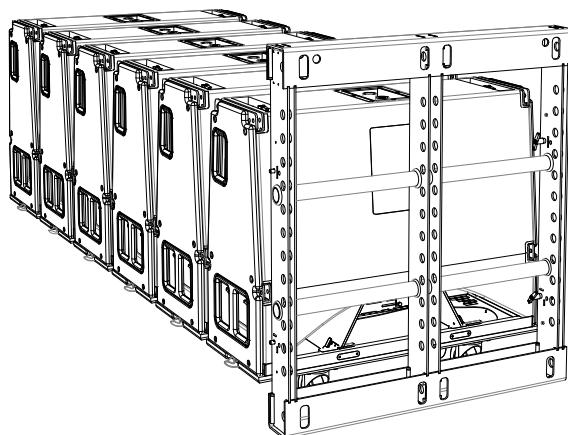


Figure 7 : Alignement des enceintes KUDO® et de la structure KBUMP

2. Sur chaque KUDO[®], ajuster les déflecteurs K-LOUVER[®] (voir le **manuel utilisateur “KUDO[®]”**).
3. Sur chaque KUDO[®], ôter les 8 GVB.
4. Sur les deux côtés de chaque KUDO[®], sortir le pion du bras rotatif (accessible par l’intérieur de la poignée) et l’attacher avec la GVB correspondante.

FR

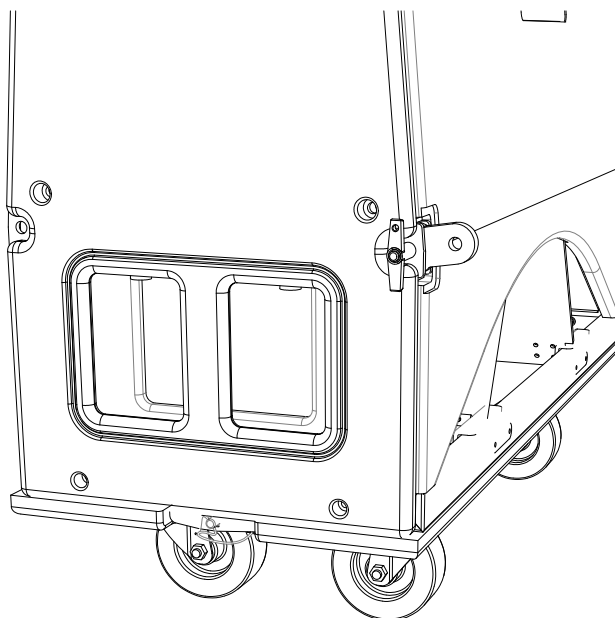


Figure 8 : Attache des pions

5. Aligner les pions de tous les KUDO[®] (ne pas les attacher).
6. Sur les deux côtés de chaque KUDO[®], sortir la barre angulaire du bras rotatif et l’attacher avec la GVB correspondante (ne pas sélectionner d’angle).

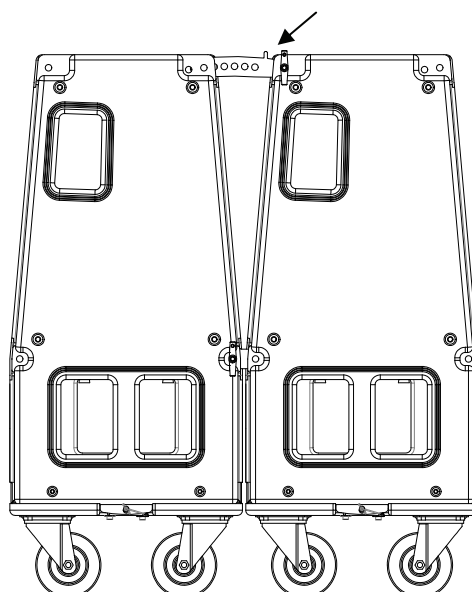


Figure 9 : Attache des barres angulaires (l’angle et le pion ne sont pas attachés)

7. Sur les deux côtés du premier KUDO[®], sélectionner l'angle 5° (l'enceinte sera parallèle au KBUMP).

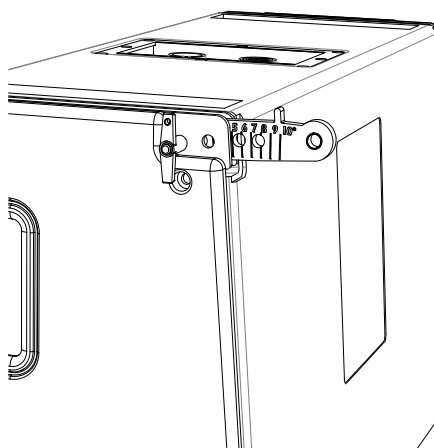


Figure 10 : Sélection de l'angle 5° sur la première enceinte

8. Sur le KBUMP, vérifier que les 4 GVB sont enclenchées dans leurs logements internes.
9. a. Positionner le KBUMP en posant ses deux équerres d'arrêt sur les deux pions du premier KUDO[®].



Le KBUMP doit être installé de sorte que la platine indicatrice du numéro de série soit orientée vers l'arrière de la ligne source.
Soutenir le KBUMP pour éviter sa chute.

- b. Attacher les 4 GVB dans leurs logements externes de façon à fixer le KBUMP au premier KUDO[®].

10. Attacher les manilles 22 selon les spécifications fournies en annexe 9.1.

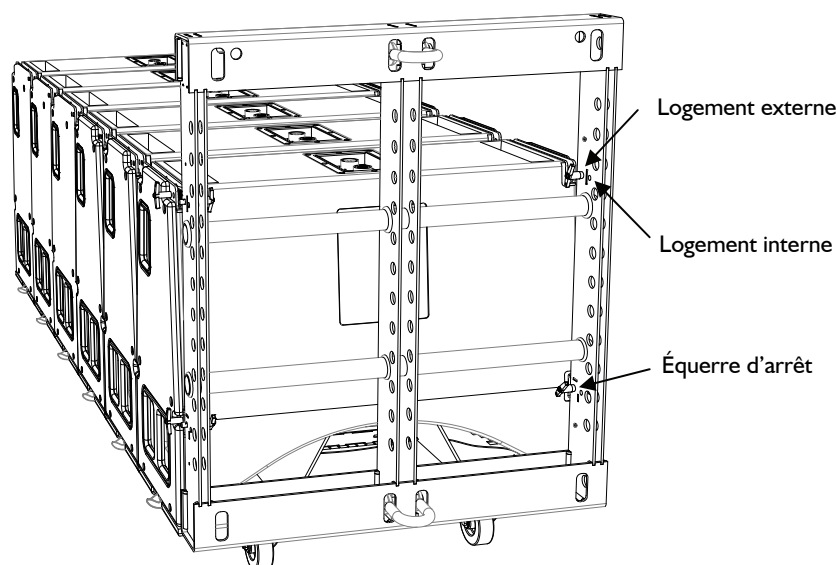


Figure 11 : Solidarisation du KBUMP au premier KUDO[®] et attache des manilles

11. Sur chaque KUDO[®], ôter les 2 GVB du plateau à roulettes en tirant sur leurs élingues.

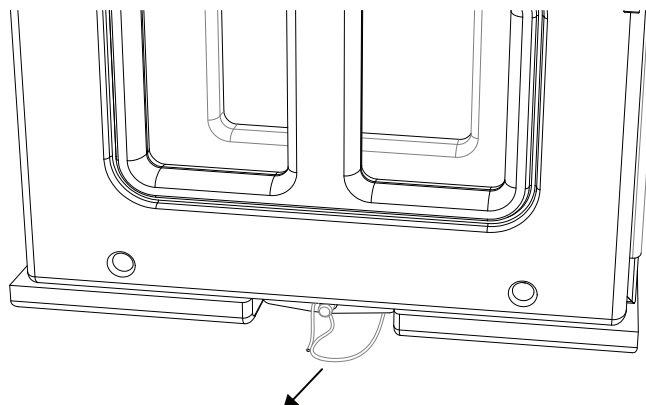


Figure 12 : Séparation des GVB du plateau à roulettes

12. Sur chaque KUDO[®], connecter les câbles haut-parleur (voir le manuel utilisateur “KUDO[®]”).



Sécuriser les câbles haut-parleur au KBUMP.

Dans un souci de clarté les câbles haut-parleurs ne sont pas représentés dans les figures suivantes.

6.1.2 Levage



Au cours de la procédure suivante vérifier systématiquement que chaque GVB soit correctement enclenchée en tirant dessus.

Vérifier que personne ne se trouve sous le système ou à proximité pendant le levage.

1. Attacher les crochets des moteurs aux manilles du KBUMP. Lever l'assemblage KBUMP/premier KUDO[®] en position horizontale.

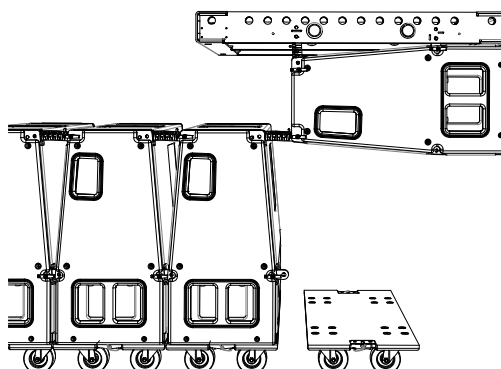


Figure 13 : Levage de l'assemblage KBUMP/premier KUDO[®]

2. Sélectionner l'angle désiré entre les KUDO® n°1 et n°2 (les bras rotatifs translatent librement entre les enceintes).

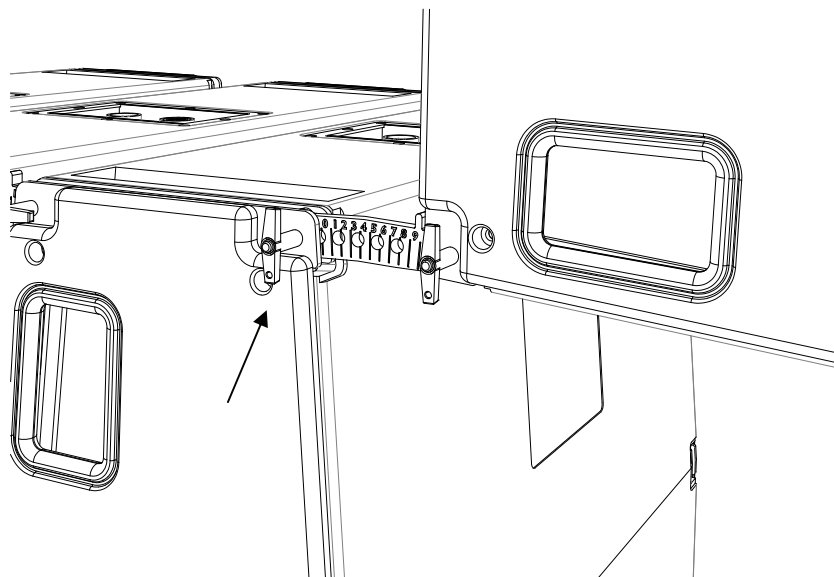


Figure 14 : Sélection de l'angle entre les KUDO® n°1 et n°2

3. Lever le système jusqu'à ce que le KUDO® n°2 ne soit plus en contact avec le sol.

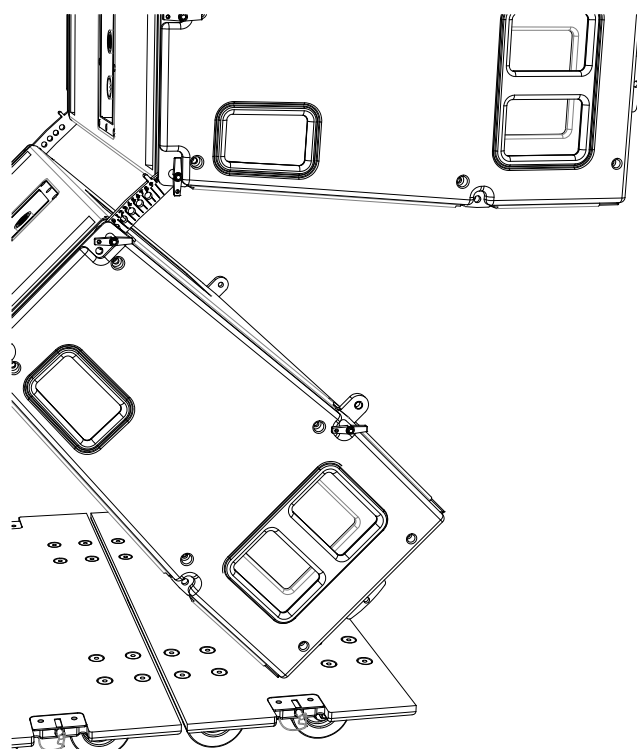


Figure 15 : Levage du KUDO® n°2

4. Solidariser l'avant du KUDO® n°2 au KUDO® n°1 en utilisant les deux GVB dédiées.

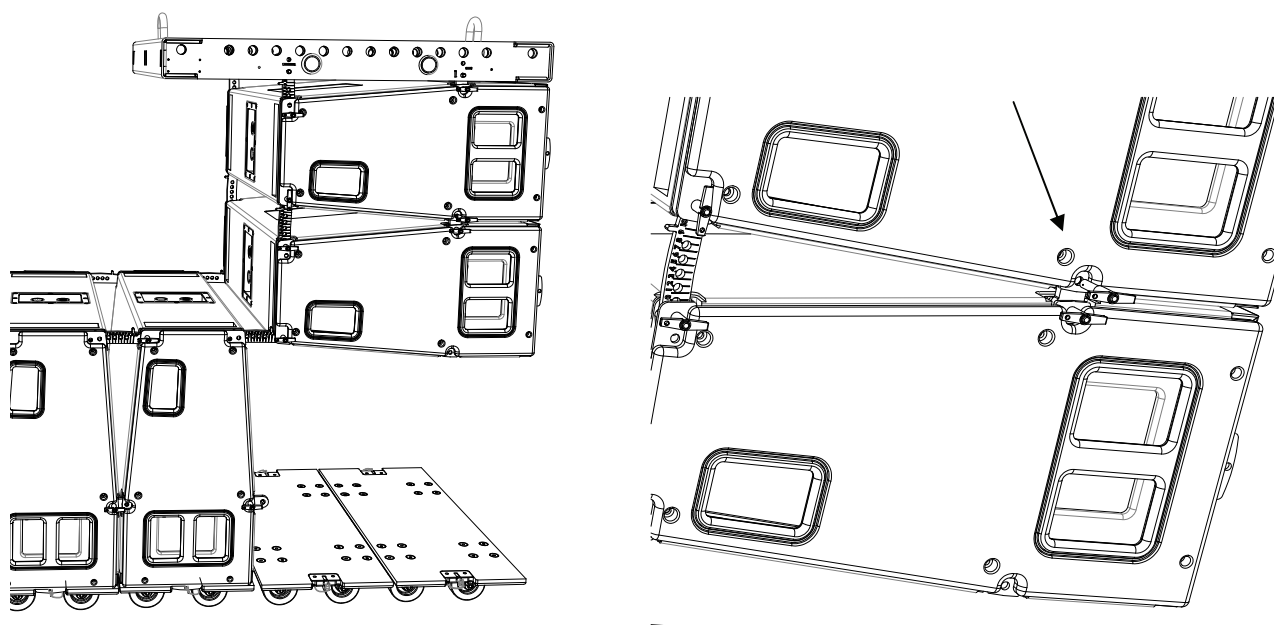


Figure 16 : Solidarisation du KUDO® n°2 au KUDO® n°1

5. Répéter les étapes 2 à 4 pour tous les KUDO®.
6. Empiler les plateaux à roulettes.

6.1.3 Démontage

1. Ôter les deux GVB avant inférieures de l'avant-dernier KUDO®.

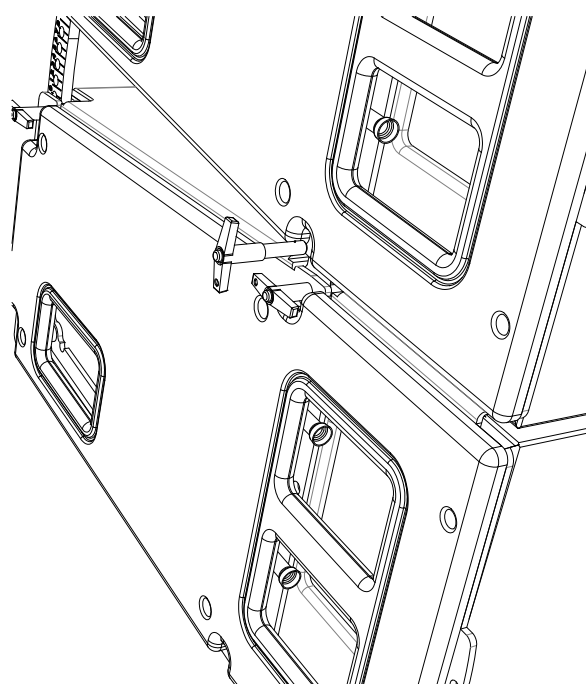


Figure 17 : Séparation des points de fixation avant de l'avant-dernier KUDO®

2. Descendre le système jusqu'à poser la dernière enceinte sur son plateau à roulettes, et attacher les deux GVB de ce dernier.
3. Ôter les deux GVB de sélection angulaire sur le dernier KUDO® (les deux autres GVB de fixation de la barre angulaire restent attachées).

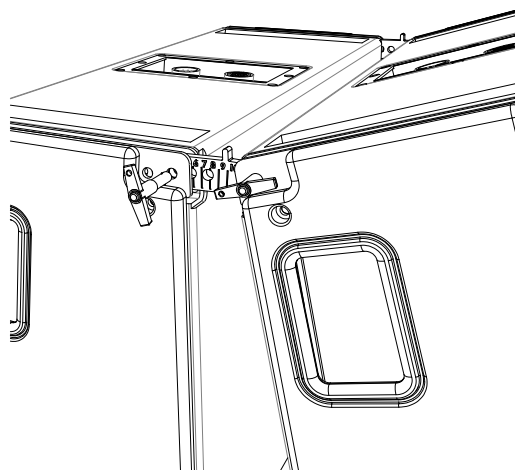


Figure 18 : Séparation des GVB de sélection angulaire

4. Répéter les étapes 1 à 3 jusqu'à ce que la totalité du système soit posée au sol.
5. Détacher les crochets des moteurs.
6. Déposer le KBUMP en ôtant ses 4 GVB et en les replaçant dans leurs logements internes.



Au moment d'ôter les GVB soutenir le KBUMP pour éviter sa chute.

7. Sur chaque KUDO®, ôter toutes les GVB encore enclenchées.

8. Sur les deux côtés de chaque KUDO® :

- a. Rentrer la barre angulaire du bras rotatif.
- b. Rentrer le pion du bras rotatif.
- c. Attacher les 2 GVB dans leurs logements (le bras rotatif est bloqué en position rentrée).

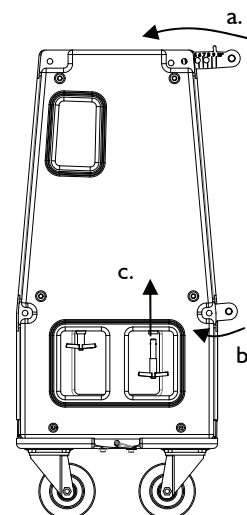


Figure 19 : Configuration du KUDO® pour le transport

6.2 Posage d'une ligne source verticale (avec les éléments KBUMP et KJACK)

Avant l'installation l'utilisateur peut modéliser la configuration du système à l'aide du logiciel **L-ACOUSTICS® SOUNDVISION**. Ce dernier fournit les données suivantes :

- Nombre d'enceintes KUDO®
- Angle entre le KBUMP et le sol
- Angles entre chaque enceinte KUDO®
- Vérification de la conformité mécanique du système

FR



Avant montage, toujours vérifier la tenue mécanique d'un système par modélisation dans le logiciel SOUNDVISION (section "Mechanical Data").

S'assurer que le KBUMP soit arrimé à la plateforme ou à l'empilement d'enceintes sub-graves sur lequel il est posé au moyen de sangles à rochet ou tout autre équipement approprié.

Le dispositif d'accrochage KUDO® est entièrement captif et permet d'assembler les éléments KUDO®, KBUMP, et KJACK entre eux sans aucun accessoire additionnel. Chaque enceinte KUDO® s'accroche à l'enceinte précédente par 2 bras rotatifs, et à l'enceinte suivante par 4 points d'accrochage, en utilisant des goupilles de verrouillage à billes (GVB).

Les procédures suivantes décrivent le posage d'une ligne source verticale KUDO®, puis son démontage.

6.2.1 Posage



Au cours de la procédure suivante vérifier systématiquement que chaque GVB soit correctement enclenchée en tirant dessus.

- I. Aligner les enceintes KUDO® et la structure KBUMP au point de posage.

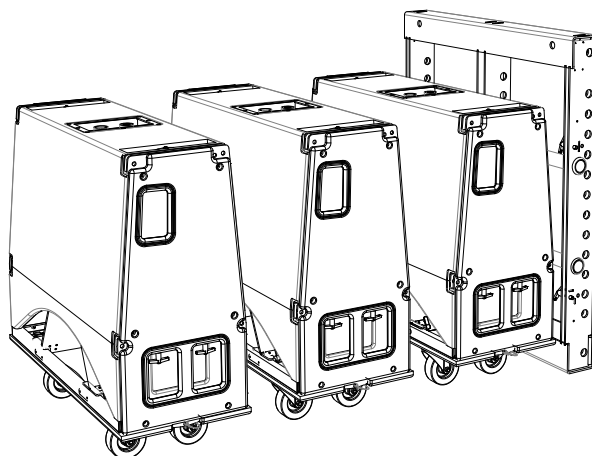


Figure 20 : Alignement des KUDO® et du KBUMP au point de posage

2. Sur chaque KUDO[®], ajuster les déflecteurs K-LOUVER[®] (voir le **manuel utilisateur "KUDO[®]"**).
3. Sur chaque KUDO[®], ôter les 8 GVB.
4. Sur les deux côtés de chaque KUDO[®], sortir le pion du bras rotatif (accessible par l'intérieur de la poignée) et l'attacher avec la GVB correspondante.

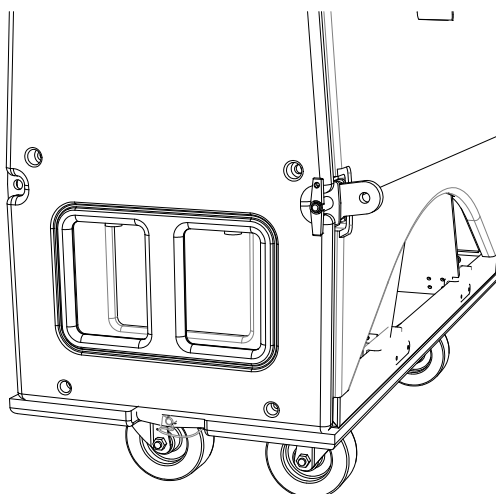


Figure 21 : Attache des pions

5. Sur les deux côtés de chaque KUDO[®] :
 - a. Sortir la barre angulaire à la graduation 10° pour libérer le pion.
 - b. Aligner les pions et les attacher au KUDO[®] suivant.

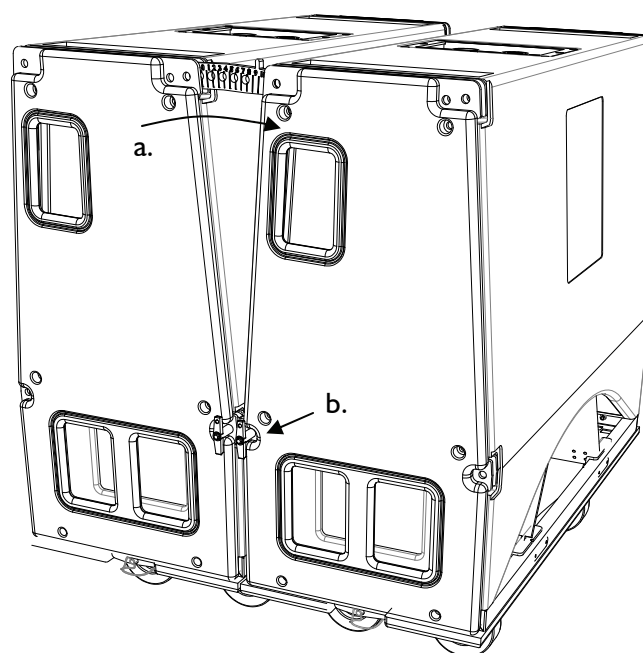


Figure 22 : Attache des pions sur le KUDO[®] suivant

6. Sélectionner l'angle entre le premier KUDO® et le KBUMP.

Note : L'angle 5° positionne le premier KUDO® parallèlement au KBUMP (voir aussi la section 5.1).

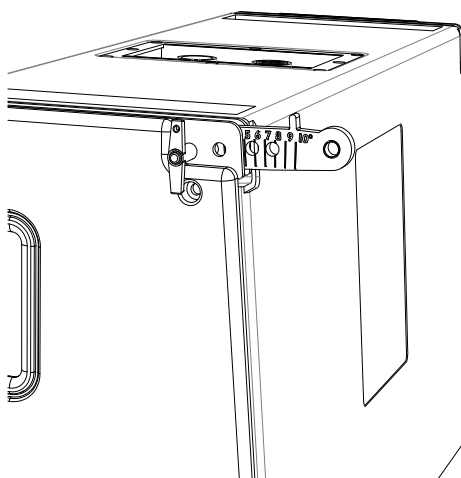


Figure 23 : Sélection de l'angle du premier KUDO®

7. a. Positionner le KBUMP en posant ses deux équerres d'arrêt sur les deux pions du premier KUDO®.



Le KBUMP doit être installé de sorte que la platine indicatrice du numéro de série soit orientée vers l'arrière de la ligne source.
Soutenir le KBUMP pour éviter sa chute.

- b. Attacher les 4 GVB dans leurs logements externes de façon à fixer le KBUMP au premier KUDO®.

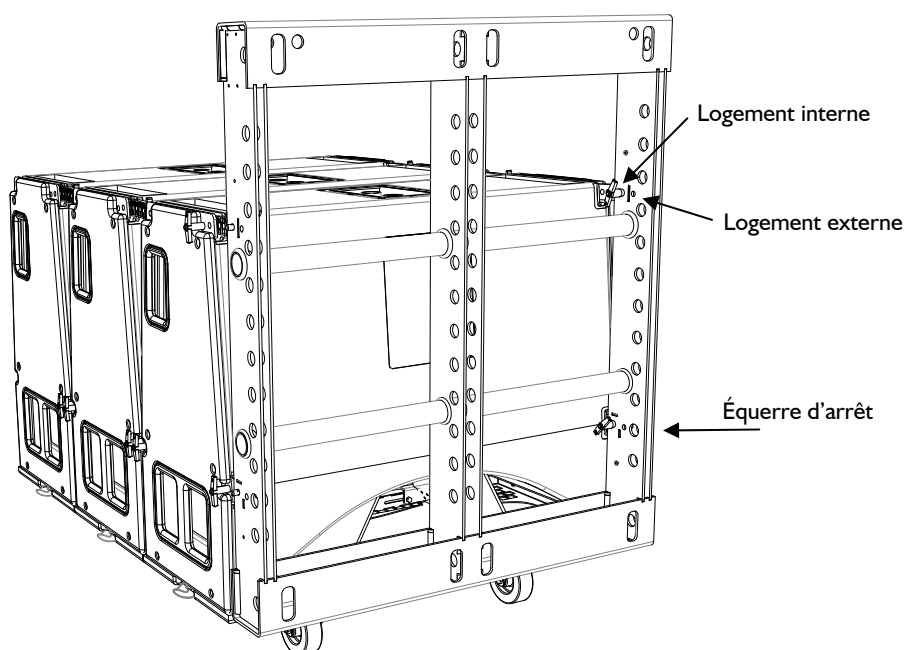


Figure 24 : Positionnement du KBUMP sur le premier KUDO®

8. Sur chaque KUDO®, sélectionner l'angle prévu par le logiciel SOUNDVISION.

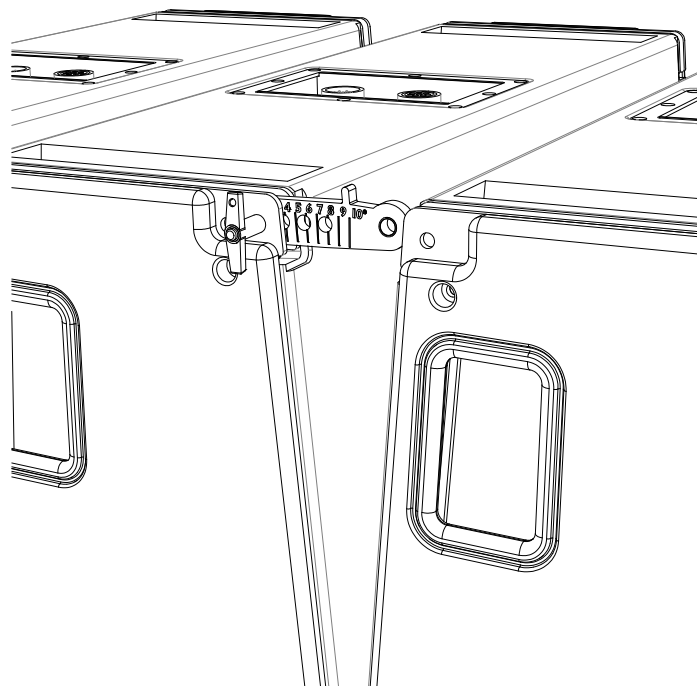


Figure 25 : Sélection de l'angle

9. Pour chaque KJACK :
- a. Aligner l'étrier avec les perçages du KBUMP (l'insert fileté orienté à l'opposé des enceintes).
 - b. Visser la tige fileté.

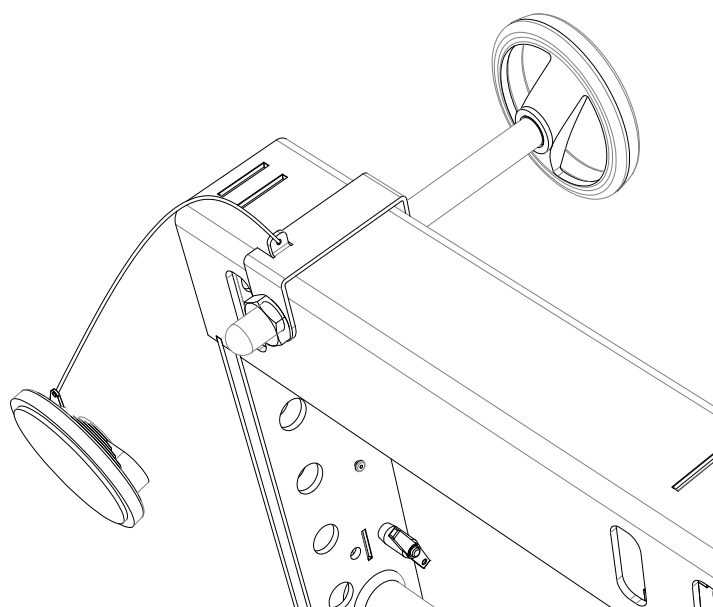


Figure 26 : Installation du KJACK sur le KBUMP

10. Faire pivoter le système en position verticale.



Faire pivoter un système de 3 KUDO® nécessite l'intervention de 2 personnes au minimum.
Faire pivoter un système de 4 KUDO® ou plus nécessite l'intervention de 3 personnes au minimum.
Éviter les chocs mécaniques pendant l'opération.

FR

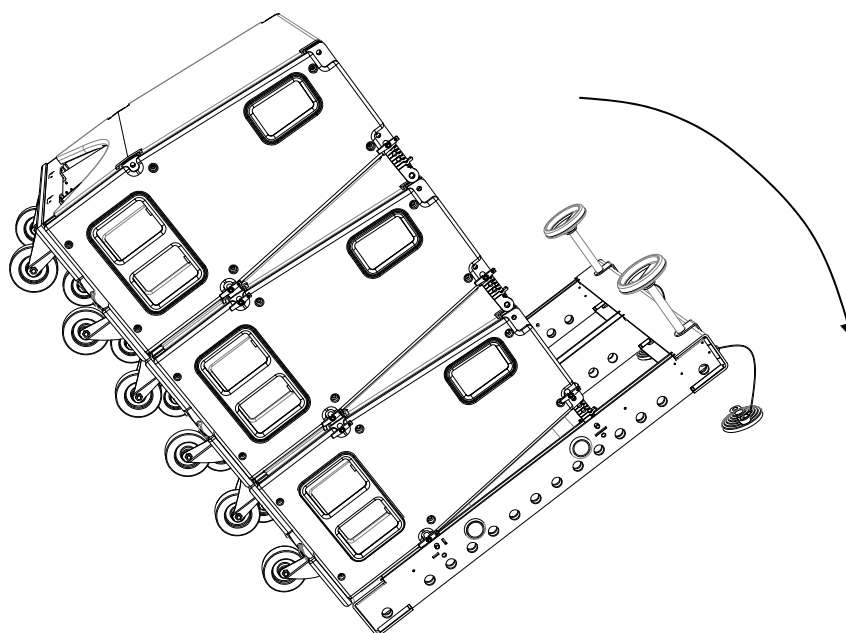


Figure 27 : Positionnement du système en ligne verticale

11. Sur chaque KUDO®, attacher les 2 GVB non encore enclenchés.

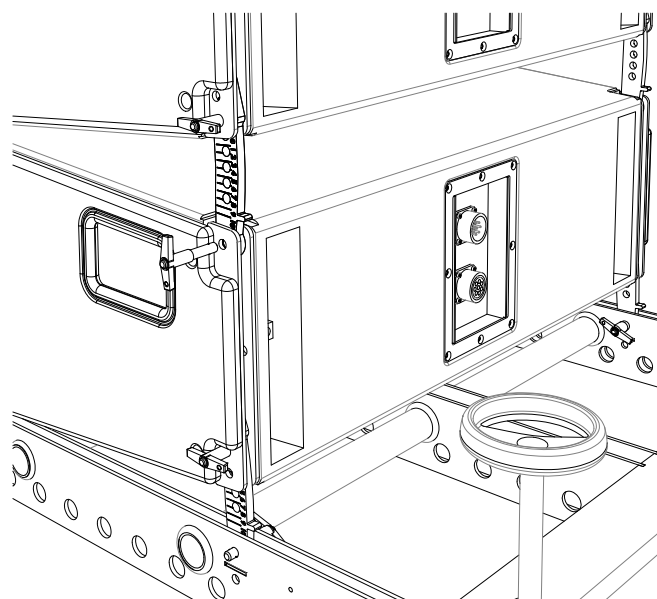


Figure 28 : Attache des GVB arrière

12. Sur chaque KUDO®, ôter le plateau à roulettes en tirant sur les élingues des 2 GVB.

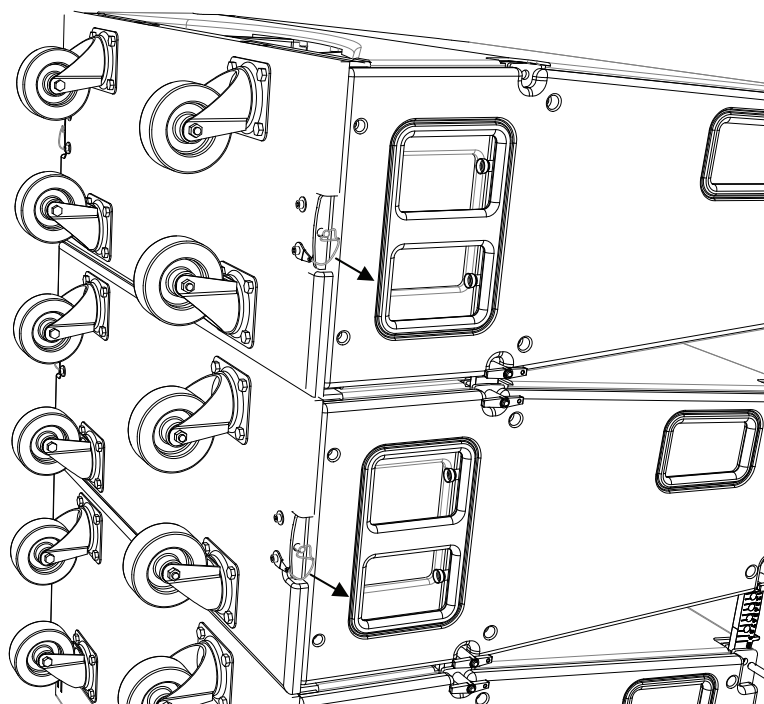


Figure 29 : Séparation des GVB des plateaux à roulettes

13. a. Soulever légèrement le système et placer l'un des supports sous sa tige filetée.

b. Visser cette même tige filetée pour faciliter le placement du second support.

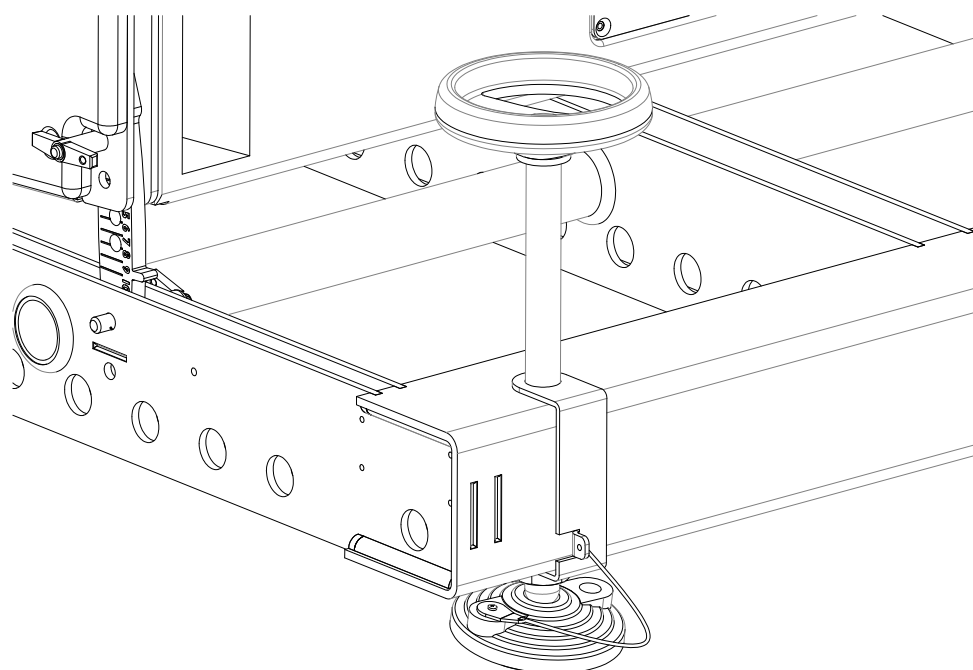


Figure 30 : Positionnement des supports

14. Régler l'angle de site du KBUMP (prévu dans le logiciel SOUNDVISION) en vissant les deux accessoires KJACK. (voir la section 5.1).

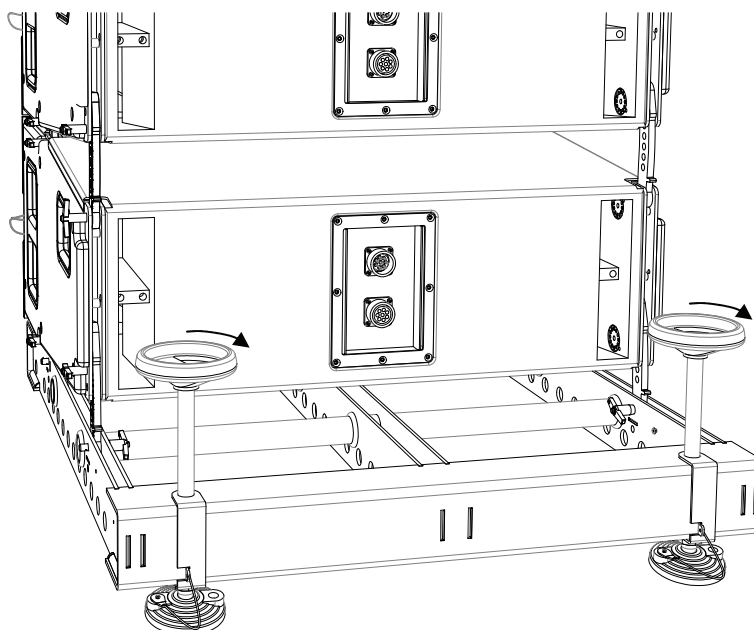


Figure 31 : Réglage de l'angle de site du KBUMP

15. Arrimer le système à l'aide de sangles à rochet ou tout autre moyen approprié.

6.2.2 Démontage

1. Démontez les sangles à rochet ou autres moyens d'arrimage.
2. Sur chaque KUDO[®], ôtez les 2 GVB **arrières inférieures**.

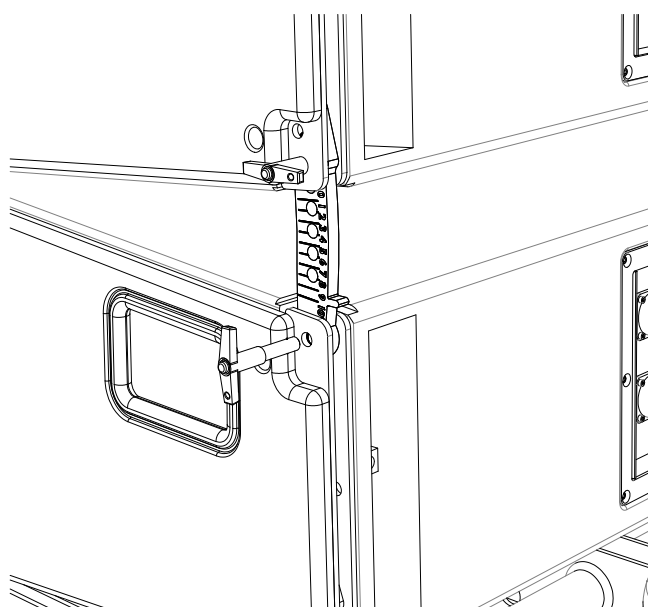


Figure 32 : Séparation des GVB arrières inférieures

3. Sur chaque KUDO®, installer le plateau à roulettes en attachant les 2 GVB correspondantes.

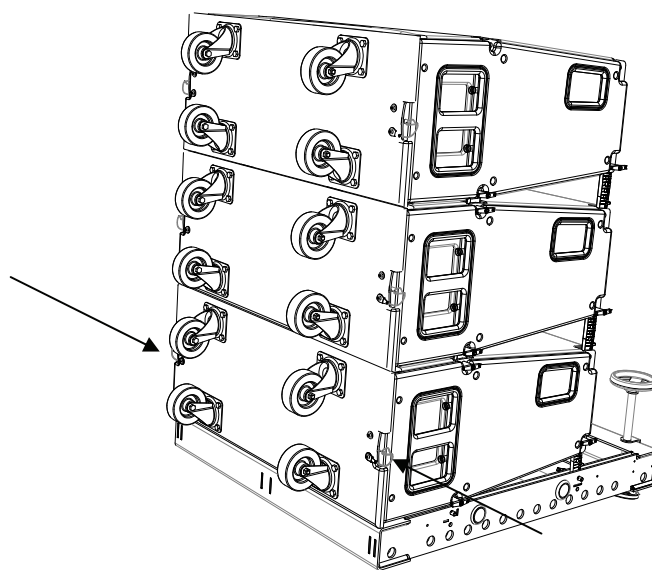


Figure 33 : Installation des plateaux à roulettes

4. Faire pivoter le système en position horizontale.



Faire pivoter un système de 3 KUDO® nécessite l'intervention de 3 personnes au minimum.
Faire pivoter un système de 4 KUDO® ou plus nécessite l'intervention de 5 personnes au minimum.
Éviter les chocs mécaniques pendant l'opération.

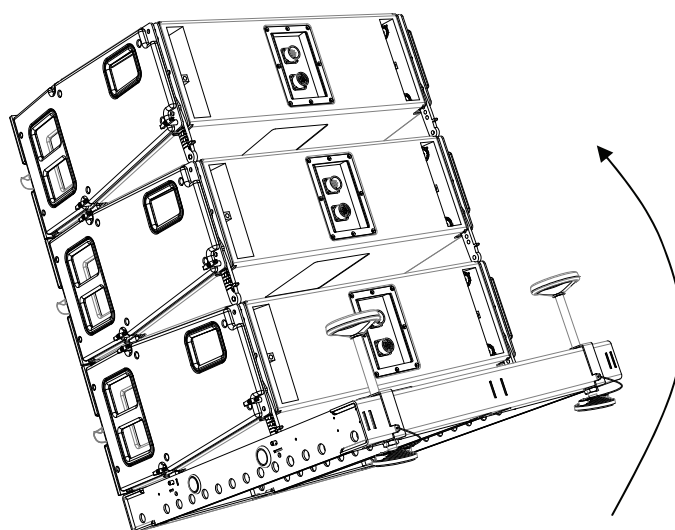


Figure 34 : Positionnement horizontal du système

5. Déposer le KBUMP et configurer les KUDO® pour le transport, comme cela est décrit dans les étapes 6 à 8 de la section 6.1.3 (en tenant compte de l'avertissement).

6.3 Levage d'une ligne source horizontale (avec l'accessoire KLIFT)

Avant l'installation l'utilisateur peut modéliser la configuration du système à l'aide du logiciel **L-ACOUSTICS® SOUNDVISION**. Ce dernier fournit les données suivantes :

- Positionnement de la manille de suspension sur le KLIFT
- Nombre d'enceintes KUDO® et d'accessoires KLIFT
- Vérification de la conformité mécanique du système

FR



Avant montage, toujours vérifier la tenue mécanique d'un système par modélisation dans le logiciel SOUNDVISION (section "Mechanical Data").

Le dispositif d'accrochage KUDO® est entièrement captif et permet d'assembler les éléments KUDO® et KLIFT entre eux sans aucun accessoire extérieur. Chaque enceinte KUDO® s'accroche à l'enceinte située à sa droite par 2 bras rotatifs, et à l'enceinte située à sa gauche par 4 points d'accrochage, en utilisant des goupilles de verrouillage à billes (GVB).

Les procédures suivantes décrivent le levage d'une ligne source horizontale composée de 2 enceintes KUDO®, puis son démontage. Pour des lignes source plus importantes (voir la section 0) la procédure est similaire.

6.3.1 Accrochage et levage



Au cours de la procédure suivante vérifier systématiquement que chaque GVB soit correctement enclenchée en tirant dessus, et que l'axe fileté de chaque manille soit fermement vissé dans son insert.

Vérifier que personne ne se trouve sous le système ou à proximité pendant le levage.

1. Sur la face supérieure d'une première enceinte KUDO®, sortir le bras rotatif. Sélectionner l'angle 10° et attacher les 2 GVB avant et arrière.

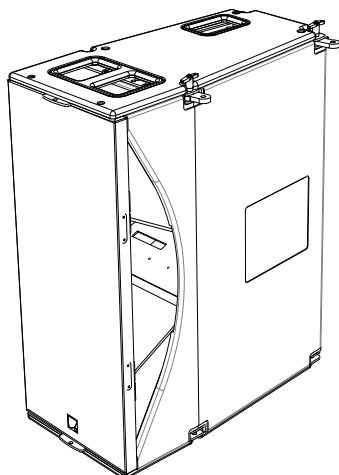


Figure 35 : Sécurisation du bras supérieur

2. Installer l'accessoire KLIFT.

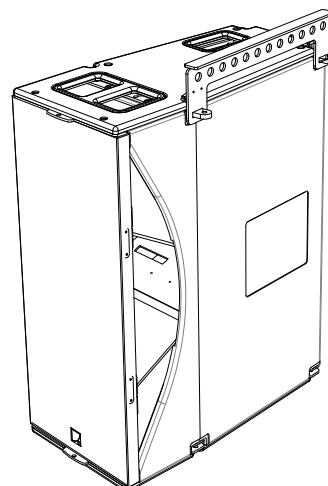


Figure 36 : Installation du KLIFT

3. Disposer une seconde enceinte KUDO® et la solidariser à la première en utilisant 2 GVB.
4. Accrocher la manille 18 dans le logement adéquat de l'accessoire KLIFT (voir l'annexe 9.2).

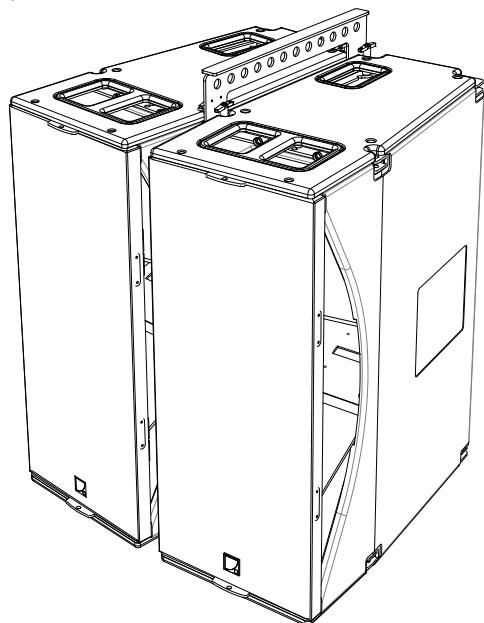


Figure 37 : Solidarisation du KUDO® n°2 au KUDO® n°1

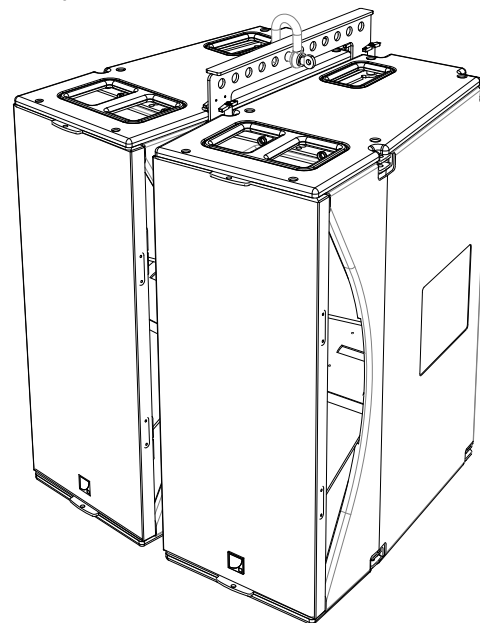


Figure 38 : Installation de la manille 18

5. Attacher le crochet du moteur à la manille 18 et lever de manière à avoir accès à la partie inférieure de la ligne source.
6. Sortir le bras rotatif de la première enceinte KUDO®. Attacher les 4 GVB (sélectionner l'angle 10°).

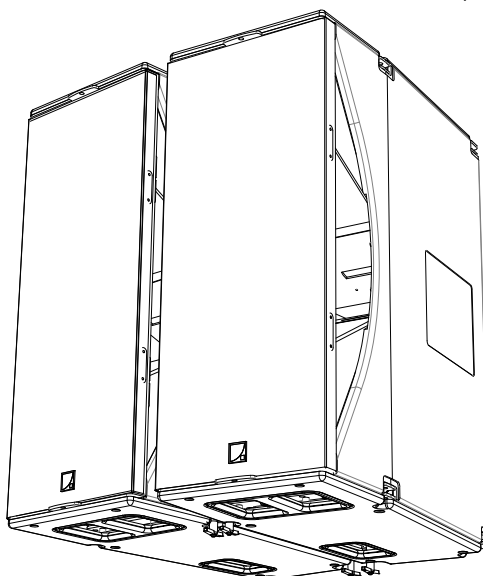


Figure 39 : Solidarisation de la partie inférieure de la ligne source

7. Lever le système à la hauteur prévue.

6.3.2 Démontage

Le démontage s'effectue en inversant les étapes 1 à 7 de la section 6.3.1 (**tenir compte de l'avertissement**).

7 ENTRETIEN ET MAINTENANCE

Le dispositif d'accrochage du système KUDO® est constitué des éléments suivants :

- Structure d'accrochage KBUMP, "manilles 22", et goupilles de verrouillage à billes.
- Accessoire d'accrochage KLIFT et "manilles 18".
- Accessoire d'accrochage KJACK.
- Bras rotatifs, goupilles de verrouillage à billes, et points d'accrochage sur chaque enceinte KUDO®.

FR

S'ils sont utilisés dans le strict respect des procédures décrites dans ce manuel, ces éléments doivent rester opérationnels pendant la durée de vie des enceintes. Dans le but de garantir leur longévité, vérifier régulièrement les points suivants :



Les accessoires KBUMP, KLIFT, et KJACK ainsi que les manilles et goupilles de verrouillage à bille ne doivent pas présenter de déformation, fissure, ou rouille.



Les parties métalliques des enceintes KUDO® ne doivent pas présenter de déformation, fissure, ou rouille. Elles doivent être fermement fixées aux enceintes. Toute enceinte présentant un défaut doit immédiatement être marquée et placée hors du circuit d'utilisation pour inspection par un service de maintenance agréé.



Vérifier le bon fonctionnement des goupilles de verrouillage à billes sur les enceintes KUDO® et la structure KBUMP : actionner le mécanisme de rétractation et s'assurer que rien ne s'oppose à son mouvement.

8 SPÉCIFICATIONS TECHNIQUES

Référence	KBUMP
Dimensions (L x H x P)	866 x 100 x 1000 mm ⇨ 34.1 x 3.9 x 39.4 in.
Poids	44 kg ⇨ 97 lb.
Limites de sécurité ¹	
Ligne verticale levée	Maximum de 21 enceintes KUDO® par KBUMP
Ligne verticale posée	Maximum de 6 enceintes KUDO® par KBUMP et paire de KJACK
Matériau	Acier, revêtement poudre époxy noire
Accessoires complémentaires	Supports KJACK pour poser une ligne source verticale (disponibles en option) 2 manilles avec axe fileté de 22 mm/0.87 in.

¹ Les limites d'utilisation sont indiquées dans SOUNDVISION, logiciel d'aide à l'exploitation des produits L-ACOUSTICS®.

Référence	KLIFT
Dimensions (L x H x P)	508 x 130 x 34 mm ⇨ 20 x 5.1 x 1.3 in.
Poids	2 kg ⇨ 4.4 lb.
Limites de sécurité ¹	
Ligne horizontale levée	Maximum de 6 enceintes KUDO® par KLIFT
Matériau	Acier, revêtement poudre époxy noire
Accessoire complémentaire	1 manille avec axe fileté de 18 mm/0.71 in.

¹ Les limites d'utilisation sont indiquées dans SOUNDVISION, logiciel d'aide à l'exploitation des produits L-ACOUSTICS®.

9 ANNEXES

9.1 Points d'accrochage du KBUMP

Il est possible de lever jusqu'à 21 enceintes KUDO® sous la structure d'accrochage KBUMP. La numérotation des points d'accrochage est donnée en Figure 40.

Note : Le KBUMP doit être installé de sorte que la platine portant le numéro de série soit orientée vers l'arrière de la ligne source.

FR

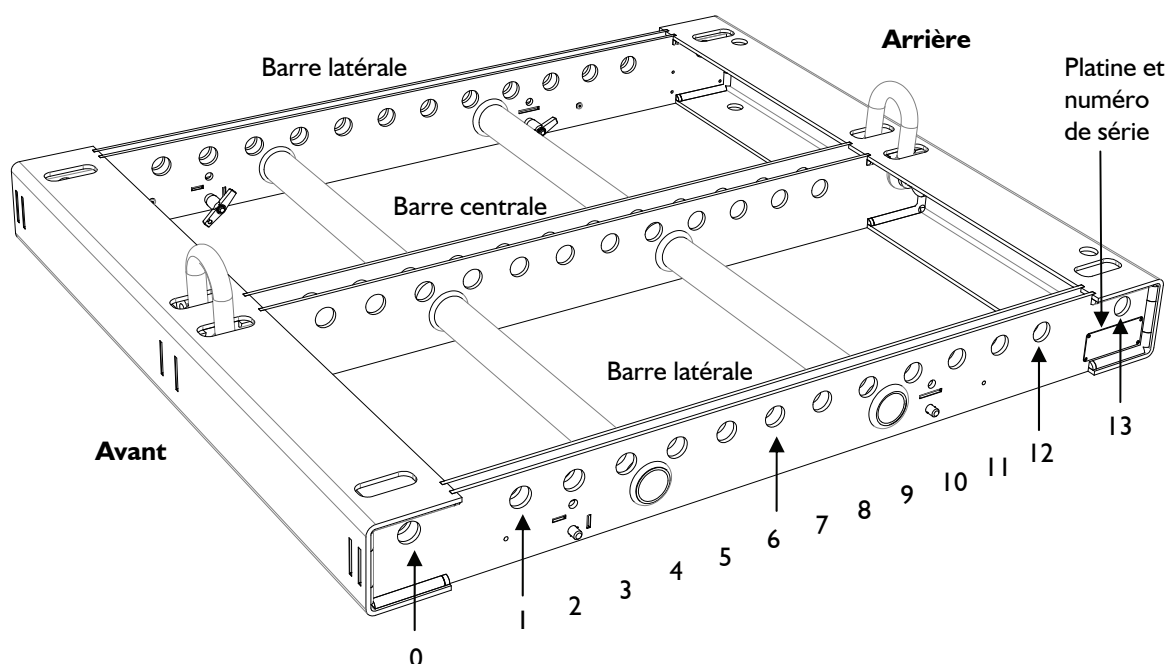


Figure 40 : Numérotation des points d'accrochage du KBUMP

Pour une suspension à un point on utilise les logements 1 à 12 de la barre centrale.

Pour une suspension à deux points non bridés on peut utiliser les logements 1 à 12 des barres latérales (espacés de 823 mm / 32.4 in.) ou les logements 0 et 13 de la barre centrale (espacés de 900 mm / 35.4 in.).

Pour des lignes sources de grandes dimensions il est recommandé d'utiliser deux brides à deux points accrochées aux logements 0 et 13 des barres latérales (espacés de 900 mm / 35.4 in.).

Le coefficient de sécurité dépend de la configuration d'accrochage. Dans la figure ci-dessous, la configuration à un point d'accrochage admet un Coefficient de Sécurité à la Rupture supérieur à 4 :1 jusqu'à 21 enceintes KUDO®. Les autres configurations admettent des Coefficients de Sécurité à la Rupture supérieurs à 6:1.

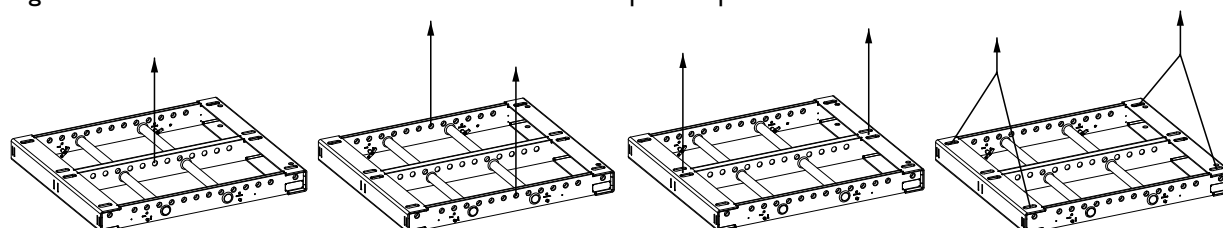


Figure 41 : Configurations d'accrochage du KBUMP

9.2 Réglage de l'angle de site du KLIFT

Lors du levage d'une ligne source KUDO® horizontale avec un ou deux accessoires KLIFT, l'angle de site est fixé en insérant la manille 18 dans l'un des logements 1 à 12 représentés dans la figure ci-dessous :

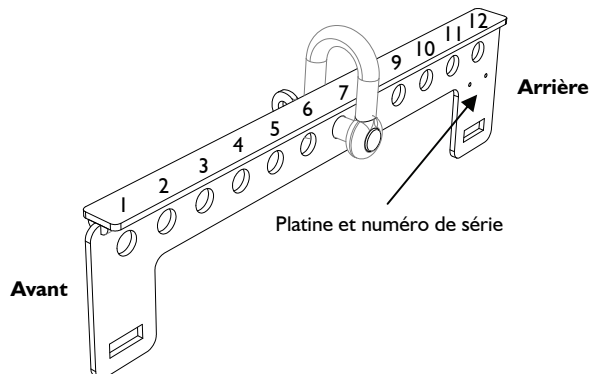


Figure 42 : Numérotation des logements du KLIFT

Les correspondances entre angles de site et numéros de logement sont données dans le tableau suivant pour deux ou trois enceintes KUDO® :

Tableau 1 : Angles de site en fonction du numéro de logement

Numéro de logement	Angle de site pour 2 KUDO® (1 KLIFT)	Angle de site pour 3 KUDO® (2 KLIFT)
1	+12.8°	+14.3°
2	+8.3°	+9.8°
3	+3.6°	+5.2°
4	-1°	-0.5°
5	-5.7°	-4.2°
6	-10.3°	-8.8°
7	-14.8°	-13.3°
8	-19.1°	-17.7°
9	-23.2°	-21.8°
10	-27°	-25.8°
11	-30.6°	-29.5°
12	-34°	-32.9°

Note : Prière de se référer au logiciel SOUNDVISION pour obtenir les valeurs correspondant à des lignes source plus grandes (Figure 43).



Avant montage, toujours vérifier la tenue mécanique d'un système par modélisation dans le logiciel SOUNDVISION (section "Mechanical Data").

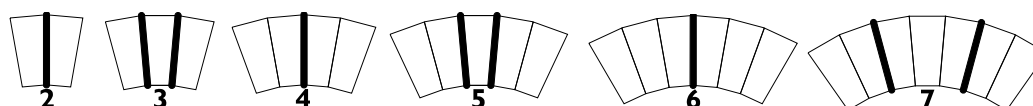


Figure 43 : Lignes sources horizontales de 2 à 7 enceintes KUDO® avec accessoires KLIFT

Document Reference: KUDO_RM_ML_1.0

© Copyright 2007 by L-ACOUSTICS®
Parc de la Fontaine de Jouvence, 91462 Marcoussis cedex, France

Distribution date: December 26th, 2007

Printed on recycled paper